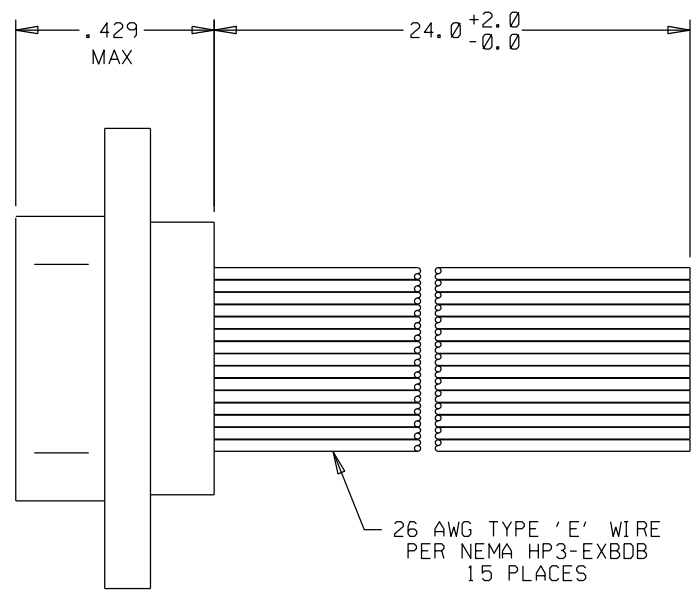
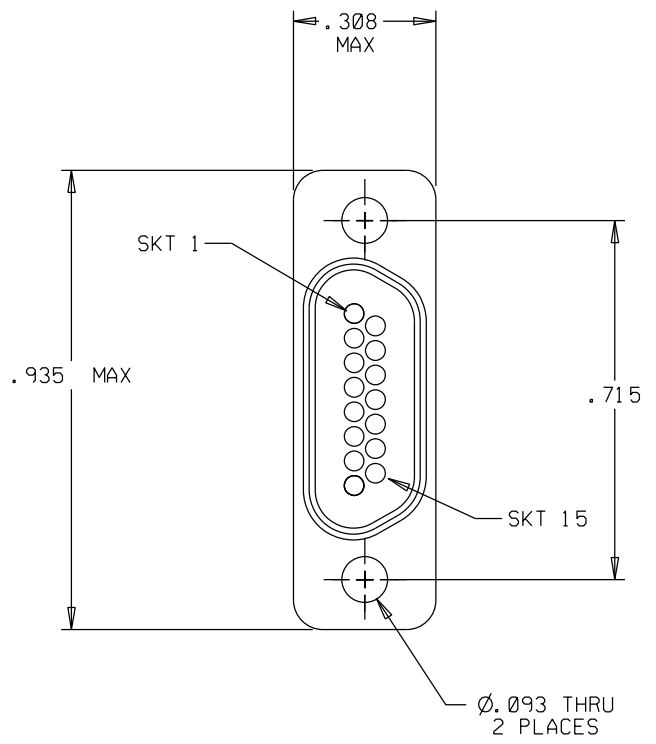


PART REV	DWG ISSUE	DATE	ECN NO.	APPVD BY	REL BY
-	-	12-21-11	UMI 4532		



SKT	
1	BLK
2	BRN
3	RED
4	ORG
5	YEL
6	GRN
7	BLU
8	VIO
9	GRY
10	WHT
11	W/BLK
12	W/BRN
13	W/RED
14	W/ORG
15	W/YEL

2 MATERIALS:
 SHELL: 6061-T6 ALUMINUM PER AMS-QQ-A200/8,
 CADMIUM PLATED PER AMS-QQ-P-416
 INSULATOR: PPS PER MIL-M-24519 GST-40F
 SOCKET CONTACT: COPPER ALLOY CDA 210, 1/2 HARD,
 GOLD PLATED PER ASTM B488-01
 INTERFACIAL SEAL: FLOUROSILICONE PER MIL-R-25988

1. MARKING: UMI, DATE CODE, UMIP/N.
 NOTES: UNLESS OTHERWISE SPECIFIED.

QUALITY SYMBOLS MAJOR CRITICAL SPC	UNLESS SPECIFIED: ALL DIMENSIONS IN INCHES GENERAL TOLERANCES: 3 PLACE ±.005 2 PLACE ±.01 ANGULAR ±2°	SCALE: NONE DWG SIZE: B DRAWN BY & DATE: DW 12-21-11 CHECKED BY & DATE: APPROVED BY & DATE:	THIRD ANGLE PROJECTION REVISE ON CAD ONLY TITLE: HIGH TEMP MICRO-D RECEPTACLE, SIZE 15, WI RED, MR15S0-26E5-24.0-HT MATERIAL:	Uti-Mate Connector Inc.
	Uti-Mate CAGE CODE 58967	CAD FILENAME: SD-839040165.DGN PART NO.: 839040165 DRAWING NO.: SD-839040165	SHEET NO.: 1 OF 1	REV: -
	THIS DRAWING CONTAINS INFORMATION THAT IS PROPRIETARY TO ULTI-MATE INCORPORATED AND SHOULD NOT BE USED WITHOUT WRITTEN PERMISSION.			
	Uti-Mate logo			