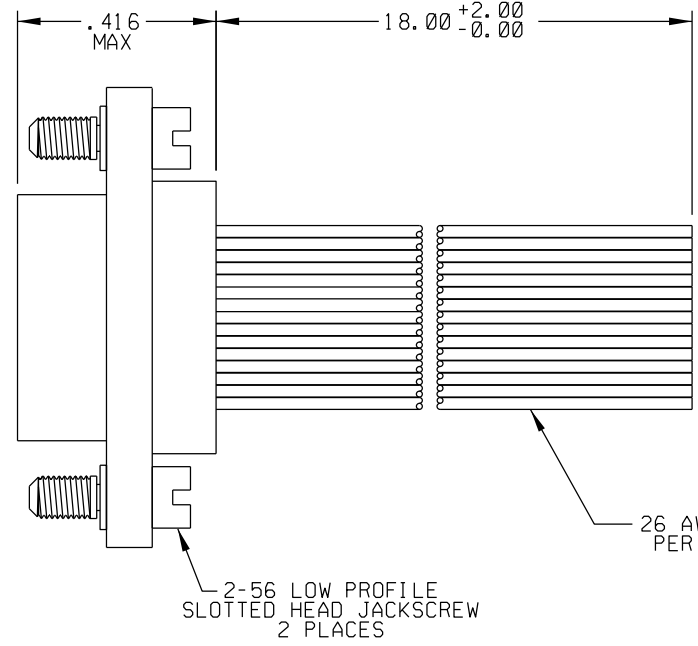
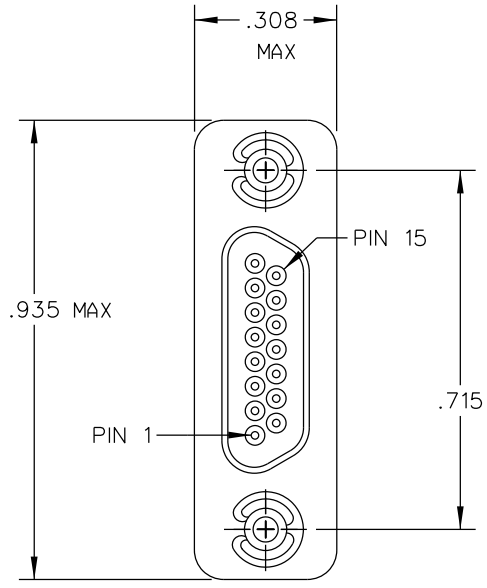


PART REV	DWG ISSUE	DATE	ECN NO.	APPVD BY	REL BY
A	A	5-21-13	UMI 4972	DW	DW
B	B	9-10-14	UMI 5403	DW	DW



1	BLK
2	BRN
3	RED
4	ORG
5	YEL
6	GRN
7	BLU
8	VIO
9	GRY
10	WHT
11	W/BLK
12	W/BRN
13	W/RED
14	W/ORG
15	W/YEL

3. PERFORMANCE SPECIFICATIONS:
 CURRENT RATING: SIGNAL CONTACTS: 3 AMPS MAX
 INSULATION RESISTANCE: 5000 MEGOHMS MIN.
 DWV: 600 VAC;
 TEMPERATURE RATING: 200° C

2 MATERIALS:
 SHELL: 6061-T6 ALUMINUM PER SAE-AMS-QQ-A-200/8, NICKEL PLATED PER AMS 2404
 INSULATOR: PPS PER MIL-M-24519 GST-40F, COLOR: BLACK
 PIN CONTACTS: C17410 BERYLLIUM COPPER PER ASTM B768, GOLD PLATED PER ASTM B488
 HARDWARE: PASSIVATED STAINLESS STEEL IAW MIL-DTL-83513/5

1. MARKING: UMI, DATE CODE, UMIP/N.
 NOTES: UNLESS OTHERWISE SPECIFIED.

QUALITY SYMBOLS CRITICAL SPECIAL KEY	UNLESS SPECIFIED: ALL DIMENSIONS IN INCHES GENERAL TOLERANCES: 3 PLACE ±.005 2 PLACE ±.01 ANGULAR ±2°	SCALE 4 : 1 DWG SIZE B	THIRD ANGLE PROJECTION	REVISE ON CAD ONLY		
	ALL EXTERNAL SPECIFICATIONS REFERENCED ON THIS DRAWING SHALL BE TO THE LATEST REVISION IN EFFECT Ulti-Mate CAGE CODE 58967	DRAWN BY & DATE DW 12-21-11 CHECKED BY & DATE SEE ECN APPROVED BY & DATE SEE ECN	TITLE: HIGH TEMP MICRO-D PLUG, SIZE 15, WIRED, MR15P05-26E5-18.00-S01-HT		MATERIAL: 2	
		CAD FILENAME SD-839040163.DGN	PART NO. 839040163	DRAWING NO. SD-839040163	SHEET NO. 1 OF 1	PART REV B
	THIS DRAWING CONTAINS INFORMATION THAT IS PROPRIETARY TO ULTI-MATE INCORPORATED AND SHOULD NOT BE USED WITHOUT WRITTEN PERMISSION.					

