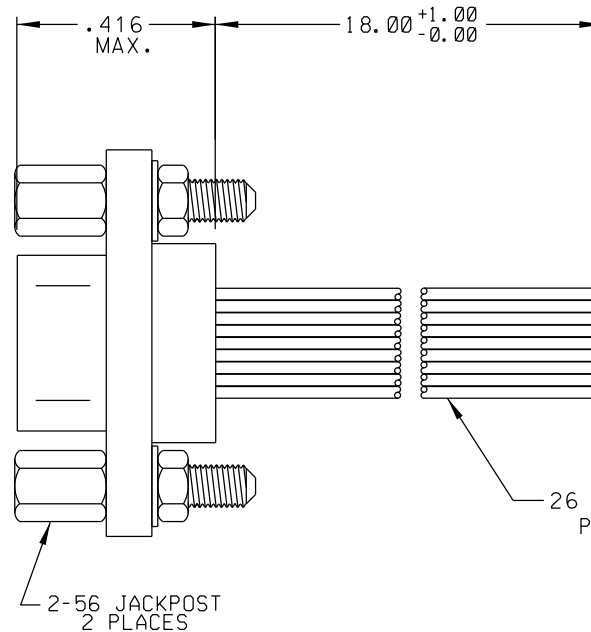
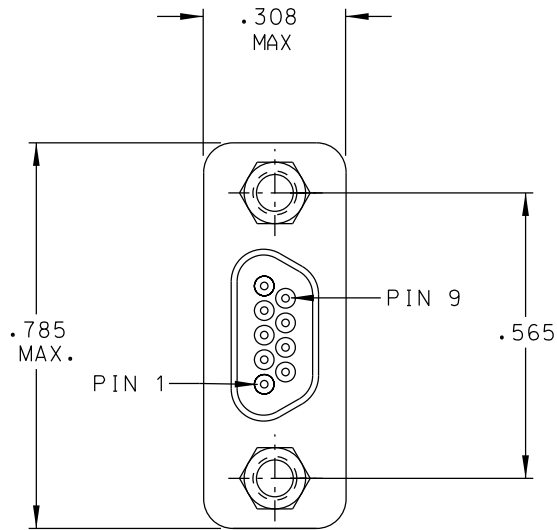


PART REV	DWG ISSUE	DATE	ECN NO.	APPVD BY	REL BY
-	-	10-21-10	UMI 4205	DW	DW
A	A	9-10-14	UMI 5403	DW	DW



1	BLACK
2	BROWN
3	RED
4	ORANGE
5	YELLOW
6	GREEN
7	BLUE
8	VIOLET
9	GRAY

- 2 MATERIALS:
 SHELL: 6061-T6 ALUMINUM PER SAE-AMS-QQ-A200/8,
 NICKEL PLATED PER AMS 2404
 INSULATOR: PPS PER MIL-M-24519 GST-40F
 PIN CONTACTS: C17410 BERYLLIUM COPPER
 PER ASTM B768, GOLD PLATED PER ASTM B488
 1. MARKING: UMI, DATE CODE, UMI P/N.

NOTES: UNLESS OTHERWISE SPECIFIED.

QUALITY SYMBOLS	UNLESS SPECIFIED: ALL DIMENSIONS IN INCHES	SCALE NONE	DWG SIZE B	THIRD ANGLE PROJECTION	REVISE ON CAD ONLY
CRITICAL	GENERAL TOLERANCES: 3 PLACE ±.005 2 PLACE ±.01 ANGULAR ±2°	DRAWN BY & DATE DW 10-21-10	TITLE: MICRO-D PLUG, SIZE 9, 26 AWG TYPE 'M' LEADS, HI-TEMP, MR09P07-26M6-18.0-S01-HT		
SPECIAL	ALL EXTERNAL SPECIFICATIONS REFERENCED ON THIS DRAWING SHALL BE TO THE LATEST REVISION IN EFFECT	CHECKED BY & DATE SEE ECN	APPROVED BY & DATE SEE ECN	MATERIAL: 2 Uti-Mate Connector Inc.	
KEY	Uti-Mate CAGE CODE 58967	CAD FILENAME SD-839040149.DGN	PART NO. 839040149	DRAWING NO. SD-839040149	SHEET NO. 1 OF 1
		THIS DRAWING CONTAINS INFORMATION THAT IS PROPRIETARY TO ULTI-MATE INCORPORATED AND SHOULD NOT BE USED WITHOUT WRITTEN PERMISSION.			
					PART REV A