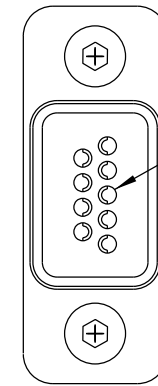
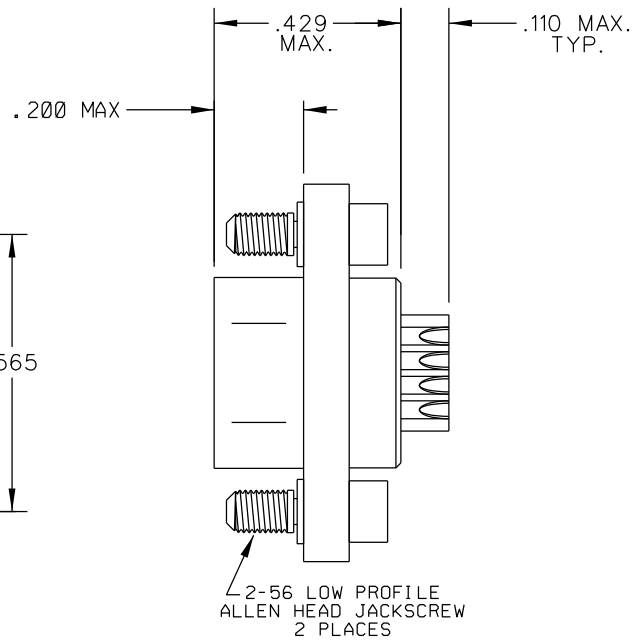
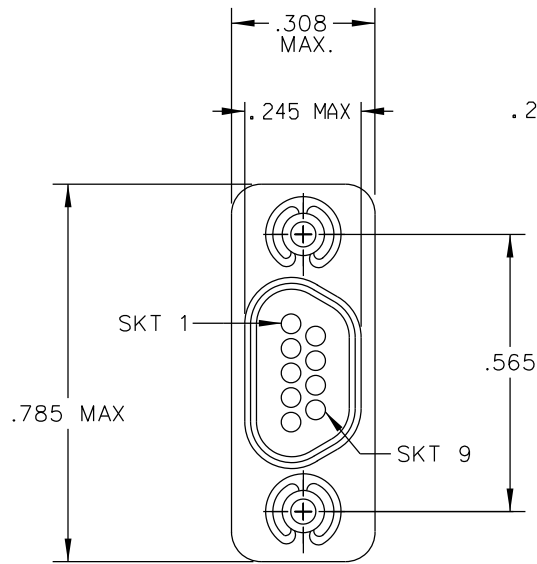


PART REV	DWG ISSUE	DATE	ECN NO.	APPVD BY	REL BY
-	-	2-9-11	UMI 4299	DW	DW



SOLDER CUPS ARE ORIENTATED AS SHOWN

1. MARKING: UMI, DATE CODE, UMIP/N.
 NOTES: UNLESS OTHERWISE SPECIFIED.

QUALITY SYMBOLS CRITICAL SPECIAL KEY	UNLESS SPECIFIED: ALL DIMENSIONS IN INCHES	SCALE 4 : 1	DWG SIZE B	THIRD ANGLE PROJECTION	REVISE ON CAD ONLY	
	GENERAL TOLERANCES: 3 PLACE ±.005 2 PLACE ±.01 ANGULAR ±2°	DRAWN BY & DATE DW 2-9-11	TITLE: SIZE 9 RECEPTACLE, HIGH TEMP, SOLDER CUP SOCKET CONTACTS, NI PLATED, MR09T02-S01-HT		MATERIAL:	
	ALL EXTERNAL SPECIFICATIONS REFERENCED ON THIS DRAWING SHALL BE TO THE LATEST REVISION IN EFFECT	CHECKED BY & DATE SEE ECN	APPROVED BY & DATE SEE ECN		Uti-Mate Connector Inc.	
	Uti-Mate CAGE CODE 58967	CAD FILENAME SD-839040115.DGN	PART NO. 839040115	DRAWING NO. SD-839040115	SHEET NO. 1 OF 1	PART REV -

THIS DRAWING CONTAINS INFORMATION THAT IS PROPRIETARY TO ULTI-MATE INCORPORATED AND SHOULD NOT BE USED WITHOUT WRITTEN PERMISSION.