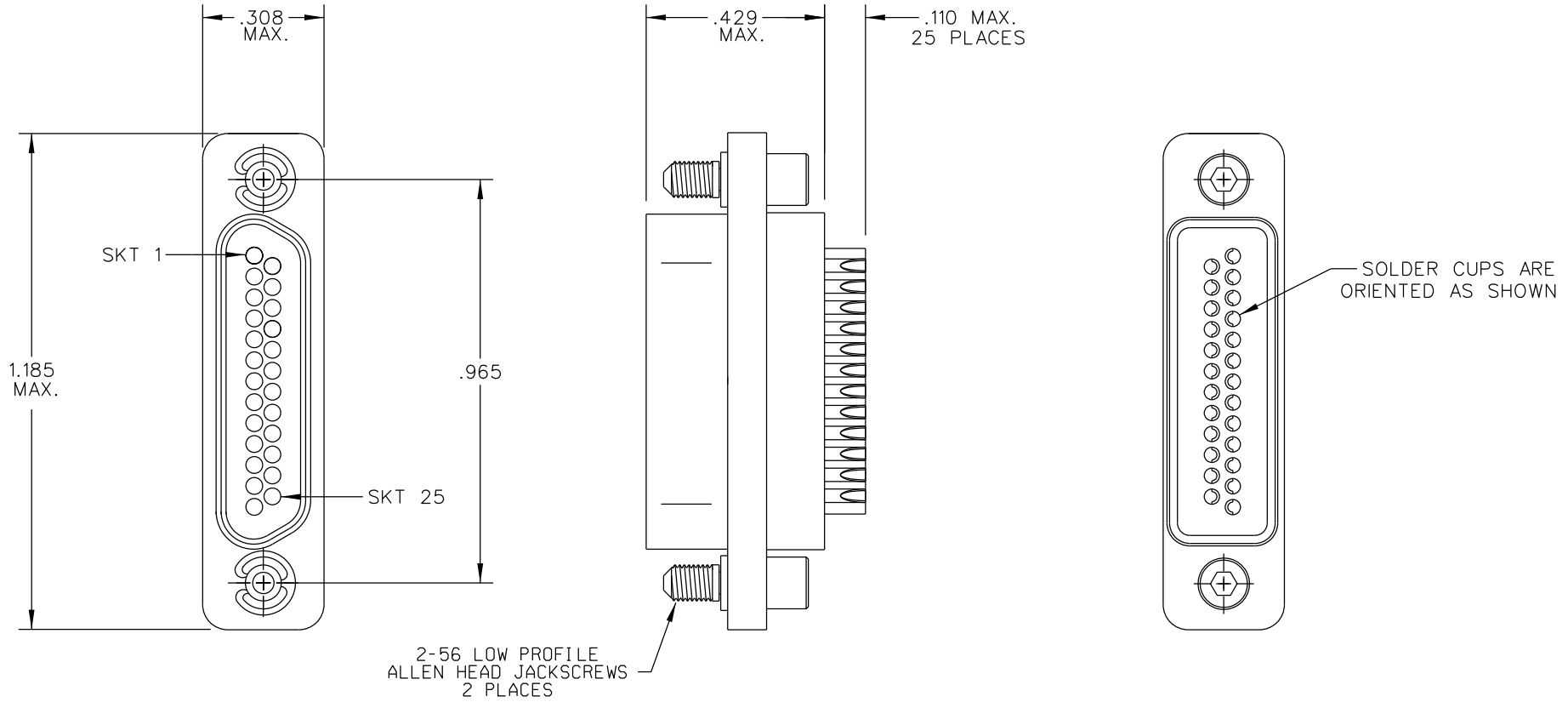


PART REV	DWG ISSUE	DATE	ECN NO.	APPVD BY	REL BY
-	-	5-20-09	UMI 3873	DW	DW



2 MATERIALS:
 SHELL: 6061-T6 ALUMINUM PER QQ-A200/8 NICKEL PLATED PER MIL-C-26074
 INSULATOR: PPS PER MIL-M-24519 GST-40F
 SOCKET CONTACT: COPPER ALLOY CDA 314, 1/2 HARD, GOLD PLATED PER MIL-G-45204
 HARDWARE: STAINLESS STEEL, PASSIVATED PER QQ-P-35
 INTERFACIAL SEAL: FLOUROSILICONE
 1. MARKING: UMI, DATE CODE, UMI P/N.
 NOTES: UNLESS OTHERWISE SPECIFIED.

QUALITY SYMBOLS CRITICAL SPECIAL KEY	UNLESS SPECIFIED: ALL DIMENSIONS IN INCHES GENERAL TOLERANCES: 3 PLACE ±.005 2 PLACE ±.01 ANGULAR ±2°	SCALE 4 : 1	DWG SIZE B	THIRD ANGLE PROJECTION	REVISE ON CAD ONLY	
	ALL EXTERNAL SPECIFICATIONS REFERENCED ON THIS DRAWING SHALL BE TO THE LATEST REVISION IN EFFECT Ulti-Mate CAGE CODE 58967	DRAWN BY & DATE DW 5-20-09 CHECKED BY & DATE SEE ECN APPROVED BY & DATE SEE ECN	TITLE: SIZE 25 FEMALE MICRO-D RECEPTACLE, HIGH-TEMP, MR25T02-S01-HT		MATERIAL: 2	Ulti-Mate Connector Inc.
		CAD FILENAME SD-839040105.DGN	PART NO. 839040105	DRAWING NO. SD-839040105	SHEET NO. 1 OF 1	PART REV -
	THIS DRAWING CONTAINS INFORMATION THAT IS PROPRIETARY TO ULTI-MATE INCORPORATED AND SHOULD NOT BE USED WITHOUT WRITTEN PERMISSION.					