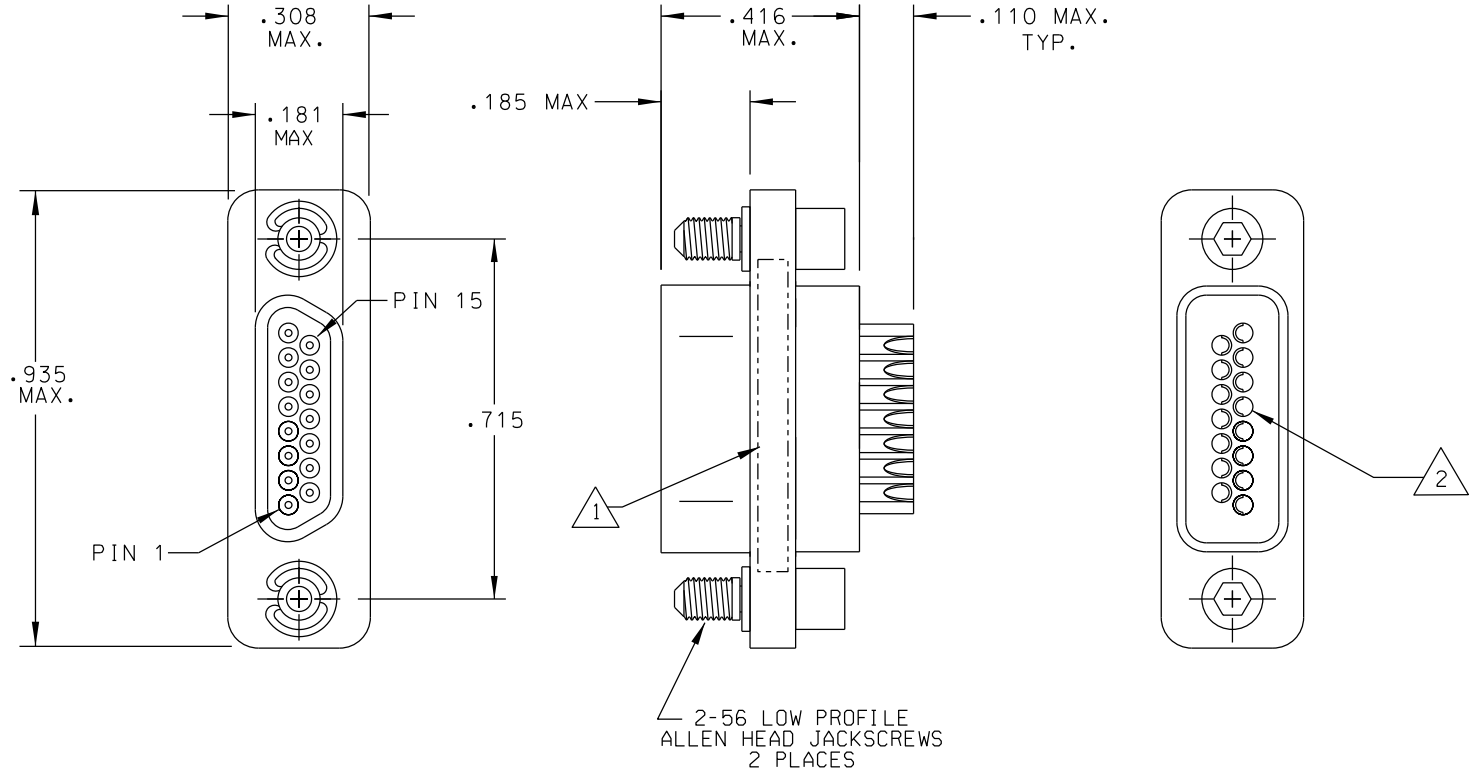


PART REV	DWG ISSUE	DATE	ECN NO.	APPVD BY	REL BY
-	-	11-21-07	UMI 3593	DW	DW



- 3 MATERIALS:
SHELL: NICKEL PLATED 6061-T6 ALUMINUM
INSULATOR: PPS PER MIL-M-24519 GST-40F
PIN CONTACTS: GOLD PLATED BERYLLIUM COPPER
HARDWARE: STAINLESS STEEL, PASSIVATED PER QQ-P-35
 - 2 SOLDER CUPS ARE ORIENTED AS SHOWN.
 - 1 MARKING: UMI, DATE CODE, UMI P/N, AND WORK ORDER NUMBER.
- NOTES: UNLESS OTHERWISE SPECIFIED

QUALITY SYMBOLS CRITICAL SPECIAL S KEY K	UNLESS SPECIFIED: ALL DIMENSIONS IN INCHES GENERAL TOLERANCES: 3 PLACE ±.005 2 PLACE ±.01 ANGULAR ±2°	SCALE NONE DWG SIZE B	THIRD ANGLE PROJECTION	REVISE ON CAD ONLY		
	ALL EXTERNAL SPECIFICATIONS REFERENCED ON THIS DRAWING SHALL BE TO THE LATEST REVISION IN EFFECT Ulti-Mate CAGE CODE 58967	DRAWN BY & DATE DW 11-21-07 CHECKED BY & DATE SEE ECN APPROVED BY & DATE SEE ECN	TITLE: MICRO-D PLUG ASSEMBLY, SIZE 15, PIN CONTACTS, HI TEMPERATURE MR15N02-S01-HT		MATERIAL: 3	
		CAD FILENAME SD-839040087.DGN	PART NO. 839040087	DRAWING NO. SD-839040087	SHEET NO. 1 OF 1	PART REV -
	THIS DRAWING CONTAINS INFORMATION THAT IS PROPRIETARY TO ULTI-MATE INCORPORATED AND SHOULD NOT BE USED WITHOUT WRITTEN PERMISSION.					

