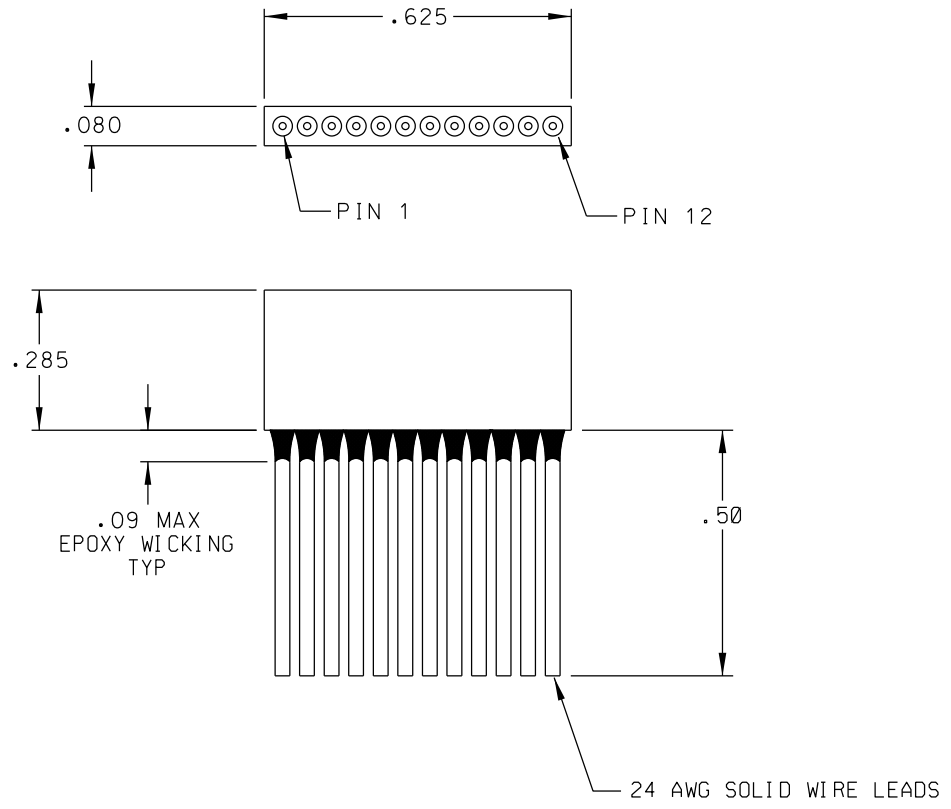


E-837121330

PART REV	DWG ISSUE	DATE	ECN NO.	APPVD BY	REL BY
-	-	12-19-18	UMI 6982	DW	DW



2 MATERIALS:  
 INSULATOR: PPS PER MIL-M-24519 GST-40F, COLOR: BLACK  
 PIN CONTACTS: C17200 BERYLLIUM COPPER PER ASTM B194,  
 GOLD PLATED PER ASTM B488  
 WIRE: 24 AWG SOLID WIRE PER A-A-55951 TYPE S, TIN PLATED PER ASTM B545  
 1. MARKING: UMI, DATE CODE, UMI P/N AS SPACE PERMITS.

NOTES: UNLESS OTHERWISE SPECIFIED.

QUALITY SYMBOLS CRITICAL ▼	UNLESS SPECIFIED: ALL DIMENSIONS IN INCHES	SCALE 4 : 1	DWG SIZE B	THIRD ANGLE PROJECTION ⊙	REVISE ON CAD ONLY	
	GENERAL TOLERANCES: 3 PLACE ±.005 2 PLACE ±.01 ANGULAR ±2°	DRAWN BY & DATE DW 12-19-18		TITLE: STRIP CONNECTOR, SR12PO-24C3-.50		
SPECIAL Ⓢ	ALL EXTERNAL SPECIFICATIONS REFERENCED ON THIS DRAWING SHALL BE TO THE LATEST REVISION IN EFFECT	CHECKED BY & DATE SEE ECN		MATERIAL: ⚠ Uti-Mate Connector Inc.		
KEY Ⓚ		APPROVED BY & DATE SEE ECN		CAD FILENAME SD-837121330.DGN	PART NO. 837121330	DRAWING NO. SD-837121330
	Uti-Mate CAGE CODE <b>58967</b>	THIS DRAWING CONTAINS INFORMATION THAT IS PROPRIETARY TO ULTI-MATE INCORPORATED AND SHOULD NOT BE USED WITHOUT WRITTEN PERMISSION.				PART REV -