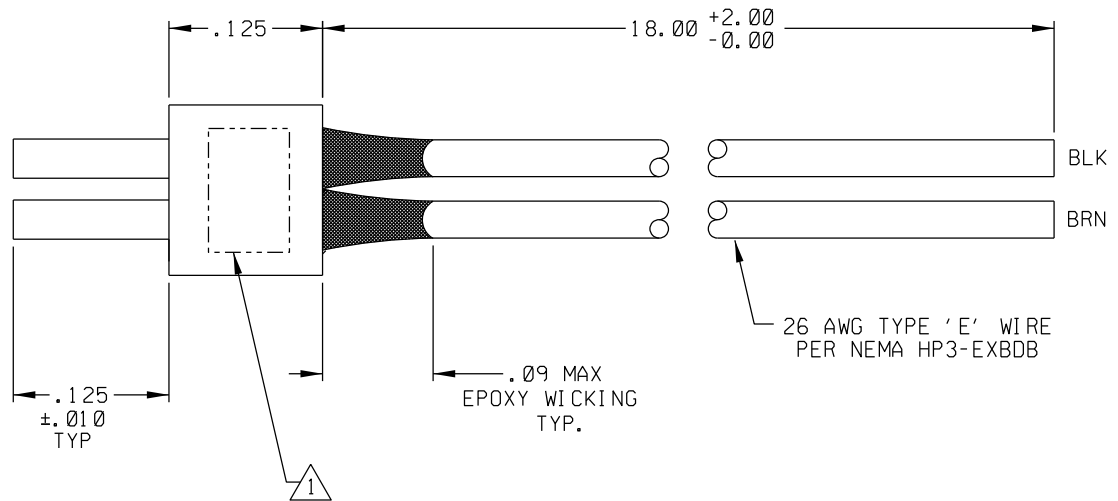
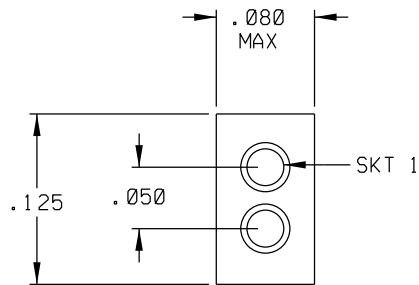


PART REV	DWG ISSUE	DATE	ECN NO.	APPVD BY	REL BY
-	-	4-22-14	UMI 5290	DW	DW



3. PERFORMANCE SPECIFICATIONS:
 CURRENT RATING: 3 AMPS MAX
 INSULATION RESISTANCE: 5000 MEGOHMS MIN.
 DWV: 600 VAC;
 TEMPERATURE RATING: 125° C

2 MATERIALS:
 BODY: PPS PER MIL-M-24519 GST-40F, COLOR: BLACK
 SOCKET CONTACTS: C21000 BRASS ALLOY PER ASTM B36,
 GOLD PLATED PER ASTM B488

1 MARKING: DATE CODE. (BAG AND TAG WITH "UMI" AND UMI PART NUMBER.)

NOTES: UNLESS OTHERWISE SPECIFIED.

QUALITY SYMBOLS CRITICAL (C) SPECIAL (S) KEY (K)	UNLESS SPECIFIED:	SCALE NONE	DWG SIZE B	THIRD ANGLE PROJECTION	REVISE ON CAD ONLY
	GENERAL TOLERANCES: 3 PLACE ±.005 2 PLACE ±.01 ANGULAR ±2°	DRAWN BY & DATE DW 4-22-14		TITLE: 2 POSITION STRIP CONNECTOR, SR02S0-26E5-18.0	
	ALL EXTERNAL SPECIFICATIONS REFERENCED ON THIS DRAWING SHALL BE TO THE LATEST REVISION IN EFFECT	CHECKED BY & DATE SEE ECN		MATERIAL: 2	
	Uliti-Mate CAGE CODE 58967	APPROVED BY & DATE SEE ECN	CAD FILENAME SD-837022040.DGN	PART NO. 837022040	DRAWING NO. SD-837022040

