

SD-837021910	2	ECN NO.	APPVD BY	REL BY
		UMI 4279		

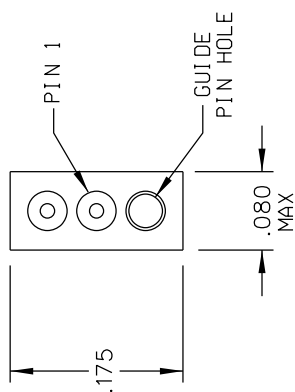
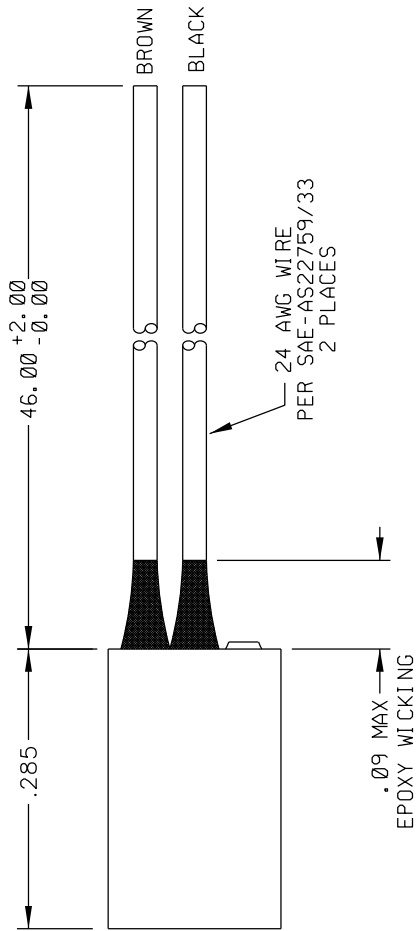
3	DATE	1-11-11
	REV / ISSUE	-

4	PART / DWG	
	REV / ISSUE	

5		
6		

7		
8		

9		
10		



QUALITY SYMBOLS	UNLESS SPECIFIED: ALL DIMENSIONS IN INCHES	SCALE: 8:1	DWG SIZE: B	THIRD ANGLE PROJECTION	REVISE ON CAD ONLY
MAJOR	GENERAL TOLERANCES:	DRAWN BY & DATE: DW 1-11-11	CHECKED BY & DATE:	TITLE: STRIP CONNECTOR, MALE, PIN, SIZE 2, 24 AWG LEADS, GUIDE PIN, SR02PI-24Y6-46.0	
CRITICAL	3 PLACE ±.005	APPROVED BY & DATE:		MATERIAL:	
S	2 PLACE ±.01				
	ANGULAR ±2°				
SPC	UMI-Mate CAGE CODE	CAD FILENAME: SD-837021910.DGN	PART NO.: 837021910	DRAWING NO.: SD-837021910	SHEET NO.: 1 OF 1
	58967				REV: -

2 MATERIALS: PPS PER MIL-M-24519 GST-40F, COLOR: BLACK
 INSULATOR: C17200 BERYLLIUM COPPER PER ASTM B194,
 PIN CONTACTS: GOLD PLATED PER ASTM B488

1. MARKING: UMI DATE CODE, UMI PART NUMBER, AND "UMI" (AS SPACE PERMITS)
 NOTES: UNLESS OTHERWISE SPECIFIED.

