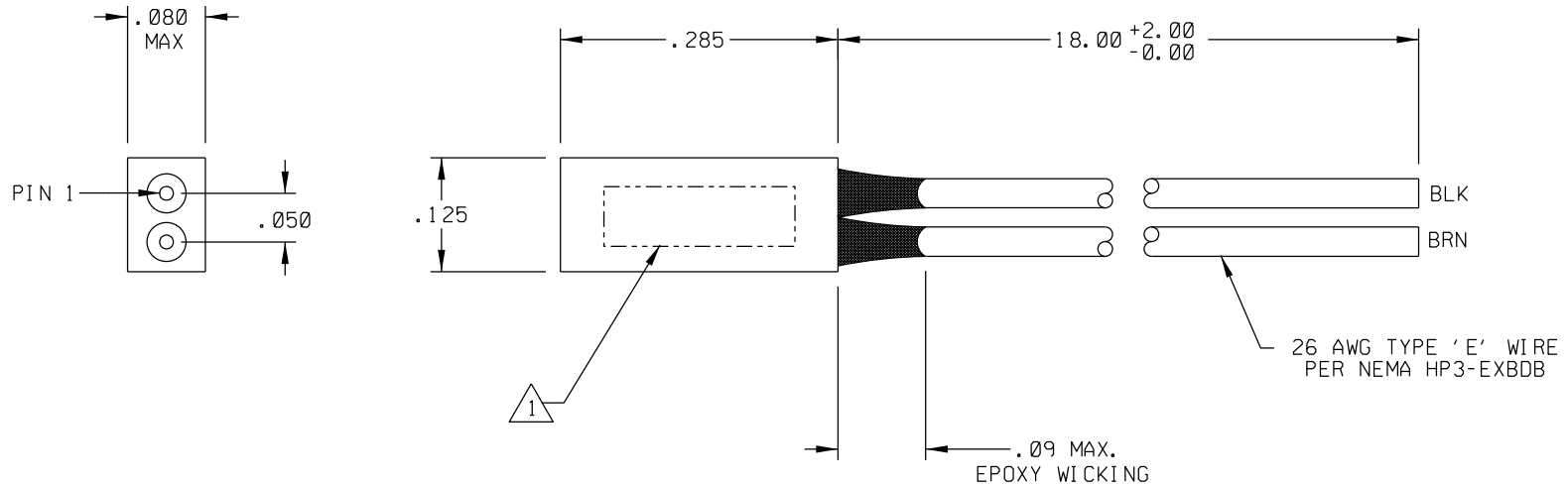


PART REV	DWG ISSUE	DATE	ECN NO.	APPVD BY	REL BY
-	-	4-22-14	UMI 5290	DW	DW



3. PERFORMANCE SPECIFICATIONS:
 CURRENT RATING: 3 AMPS MAX.
 INSULATION RESISTANCE: 5000 MEGOHMS MIN.
 DWV: 600 VAC
 TEMPERATURE RATING: 125°C

2 MATERIALS:
 BODY: PPS PER MIL-M-24519 GST-40F, COLOR: BLACK
 PIN CONTACTS: C17200 BERYLLIUM COPPER PER ASTM B194,
 GOLD PLATED PER ASTM B488

1 MARKING: DATE CODE (BAG AND TAG WITH "UMI" AND UMI PART NUMBER.)

NOTES: UNLESS OTHERWISE SPECIFIED.

QUALITY SYMBOLS	UNLESS SPECIFIED: ALL DIMENSIONS IN INCHES	SCALE NONE	DWG SIZE B	THIRD ANGLE PROJECTION	REVISE ON CAD ONLY
CRITICAL	GENERAL TOLERANCES: 3 PLACE ±.005 2 PLACE ±.01 ANGULAR ±2°	DRAWN BY & DATE DW 4-22-14	CHECKED BY & DATE SEE ECN	TITLE: 2 POSITION WIRED STRIP CONNECTOR, PIN CONTACTS SR02P0-26E5-18.0	
SPECIAL	ALL EXTERNAL SPECIFICATIONS REFERENCED ON THIS DRAWING SHALL BE TO THE LATEST REVISION IN EFFECT	APPROVED BY & DATE SEE ECN	CAD FILENAME SD-837021040.DGN	MATERIAL: 2	Uti-Mate Connector Inc.
KEY	Uti-Mate CAGE CODE 58967	PART NO. 837021040	DRAWING NO. SD-837021040	SHEET NO. 1 OF 1	PART REV -
		THIS DRAWING CONTAINS INFORMATION THAT IS PROPRIETARY TO ULTI-MATE INCORPORATED AND SHOULD NOT BE USED WITHOUT WRITTEN PERMISSION.			