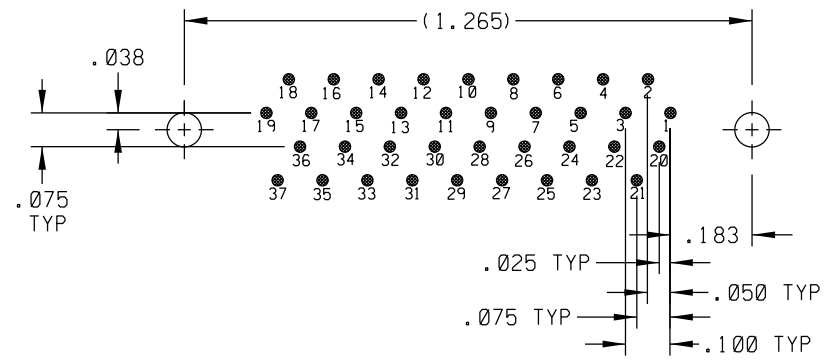
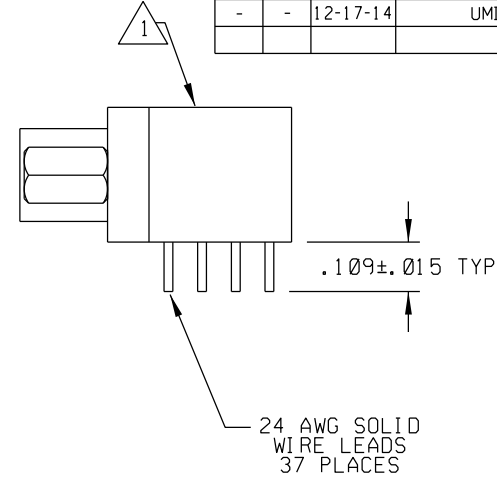
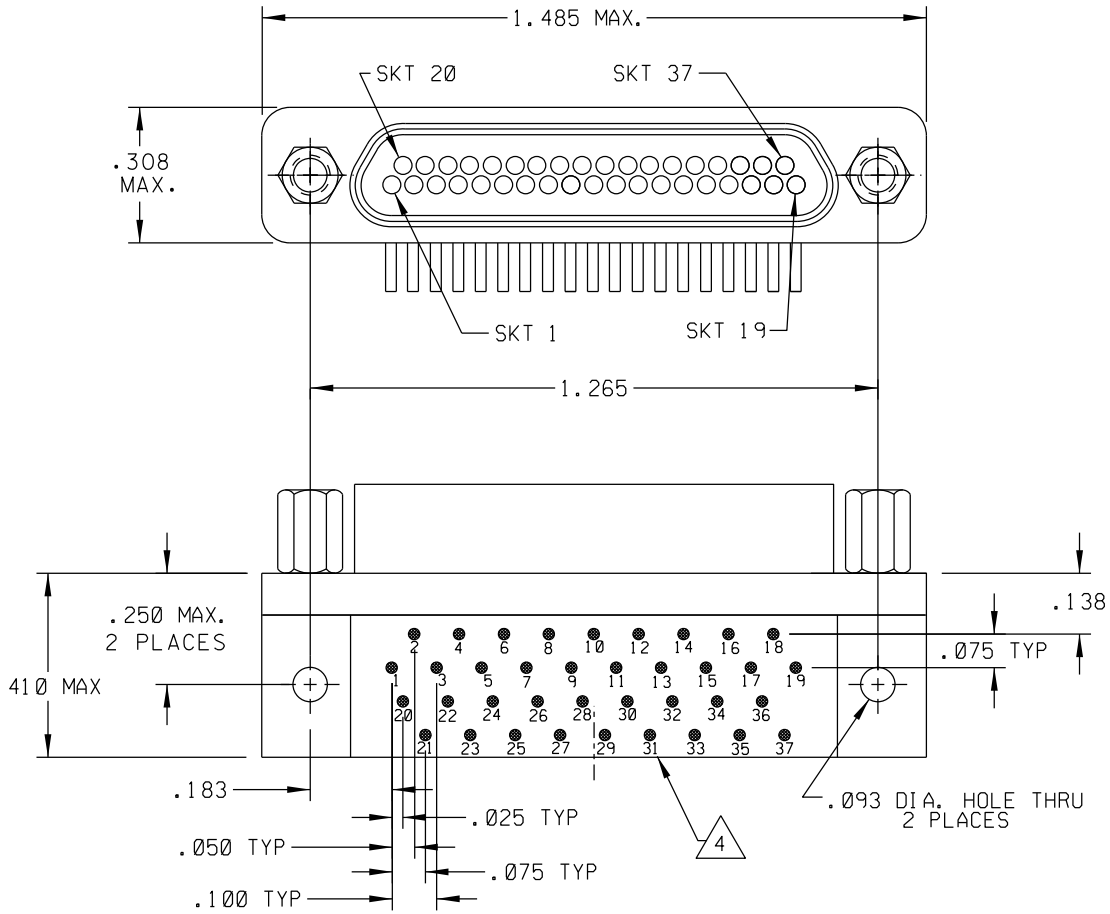


PART REV	DWG ISSUE	DATE	ECN NO.	APPVD BY	REL BY
-	-	12-17-14	UMI 5494	DW	DW



RECOMMENDED PCB LAYOUT

- 4 NUMBERS SHOWN ON BACKSHELL ARE FOR REFERENCE ONLY AND DO NOT APPEAR ON PART.
- 3. PERFORMANCE SPECIFICATIONS:  
CURRENT RATING: 3 A MAX  
DWV: 600 VAC  
INSULATION RESISTANCE: 5000 MEGOHMS MIN.  
TEMPERATURE RATING: 125°C
- 2 MATERIALS:  
BODY AND BACKSHELL: PPS PER MIL-M-24519 GST-40F, COLOR: BLACK  
SOCKET CONTACTS: C21000 COPPER ALLOY, GOLD PLATED PER ASTM B488  
24 AWG LEADS: TIN PLATED COPPER ALLOY
- 1 MARKING: UMI, DATE CODE, UMI P/N.

NOTES: UNLESS OTHERWISE SPECIFIED.

QUALITY SYMBOLS CRITICAL SPECIAL KEY	UNLESS SPECIFIED: ALL DIMENSIONS IN INCHES	SCALE NONE	DWG SIZE B	THIRD ANGLE PROJECTION	REVISE ON CAD ONLY
	GENERAL TOLERANCES: 3 PLACE ±.005 2 PLACE ±.01 ANGULAR ±2°	DRAWN BY & DATE DW 12-17-14	CHECKED BY & DATE SEE ECN	TITLE: CIRCUIT CONNECTOR, RECEPTACLE, PLASTIC, SIZE 37, STYLE 8, CB8R37S07	
	ALL EXTERNAL SPECIFICATIONS REFERENCED ON THIS DRAWING SHALL BE TO THE LATEST REVISION IN EFFECT	APPROVED BY & DATE SEE ECN	CAD FILENAME SD-83686817.DGN	PART NO. 836868817	DRAWING NO. SD-836868817
	Ulti-Mate CAGE CODE <b>58967</b>	THIS DRAWING IS THE PROPERTY OF ULTI-MATE CONNECTOR, INC. AND MAY NOT BE USED OR REPRODUCED WITHOUT WRITTEN PERMISSION			SHEET NO. 1 OF 1 PART REV -

