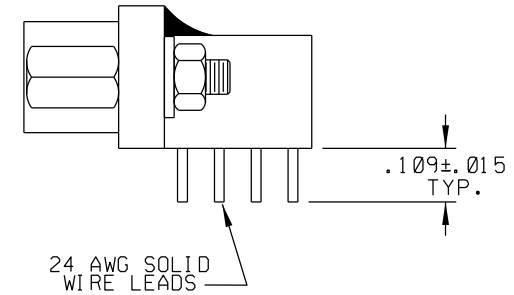
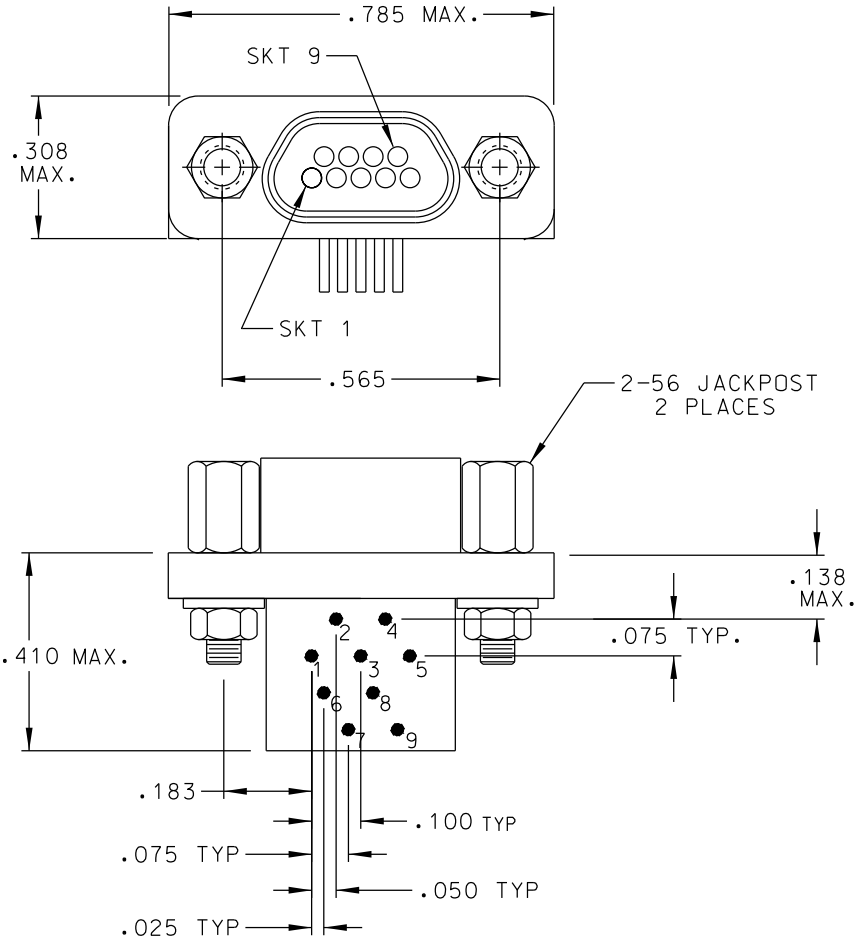


PART REV	DWG ISSUE	DATE	ECN NO.	APPVD BY	REL BY
-	-	3-25-08	DRAWING RELEASE	DW	DW
A	A	4-17-08	UMI 3635	DW	DW



3. NUMBERS ON BACKSHELL ARE SHOWN FOR REFERENCE ONLY AND DO NOT APPEAR ON PART



MATERIALS:
 BODY AND BACKSHELL: PPS PER MIL-M-24519 GST-40F
 SOCKET CONTACTS: GOLD PLATED COPPER ALLOY
 24 AWG SOLID WIRE LEADS: TIN PLATED COPPER ALLOY
 HARDWARE: STAINLESS STEEL, PASSIVATED PER QQ-P-35

1. MARKING: UMI, DATE CODE, UMI P/N.

NOTES: UNLESS OTHERWISE SPECIFIED.

QUALITY SYMBOLS CRITICAL SPECIAL KEY	UNLESS SPECIFIED: ALL DIMENSIONS IN INCHES GENERAL TOLERANCES: 3 PLACE ±.005 2 PLACE ±.01 ANGULAR ±2°	SCALE: NONE DWG SIZE: B THIRD ANGLE PROJECTION	REVISE ON CAD ONLY	
	ALL EXTERNAL SPECIFICATIONS REFERENCED ON THIS DRAWING SHALL BE TO THE LATEST REVISION IN EFFECT Ulti-Mate CAGE CODE 58967	DRAWN BY & DATE: DW 3-18-08 CHECKED BY & DATE: SEE ECN APPROVED BY & DATE: SEE ECN	TITLE: PLASTIC CIRCUIT SERIES RECEPTACLE, SIZE 9, STYLE 18 BACKSHELL W/JACKPOSTS, CB18R09S07	MATERIAL:
	Ulti-Mate CAGE CODE 58967	CAD FILENAME: SD-836818017.DGN	PART NO.: 836818017	DRAWING NO.: SD-836818017
	Ulti-Mate CAGE CODE 58967	THIS DRAWING CONTAINS INFORMATION THAT IS PROPRIETARY TO ULTI-MATE INCORPORATED AND SHOULD NOT BE USED WITHOUT WRITTEN PERMISSION.	SHEET NO.: 1 OF 1	PART REV: A