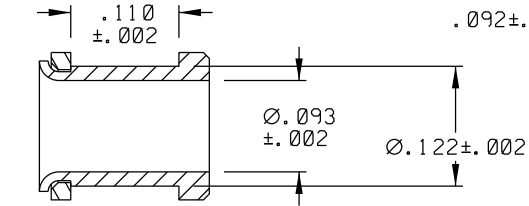
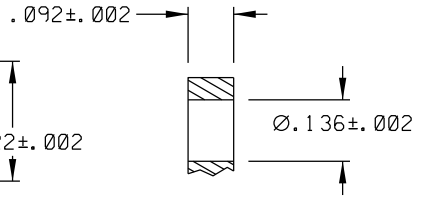


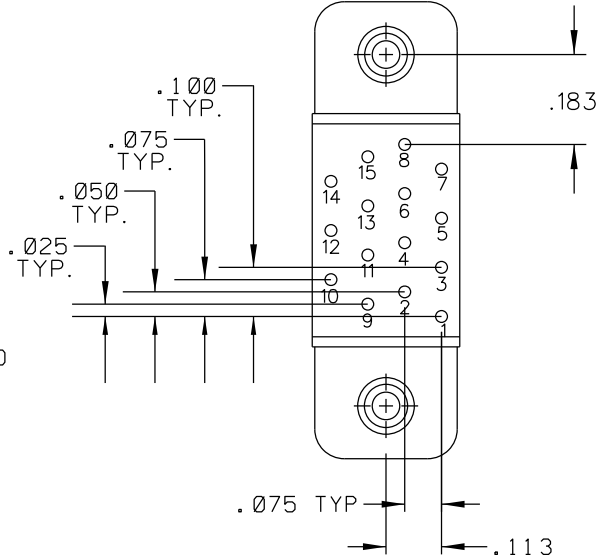
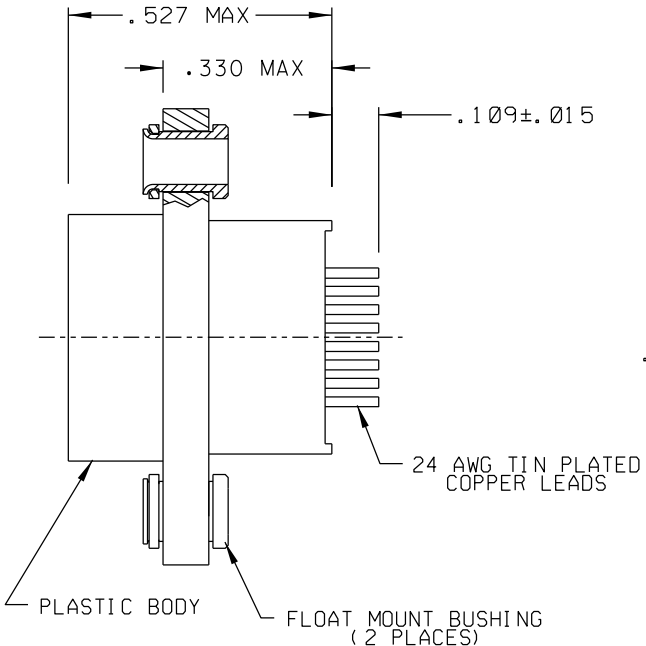
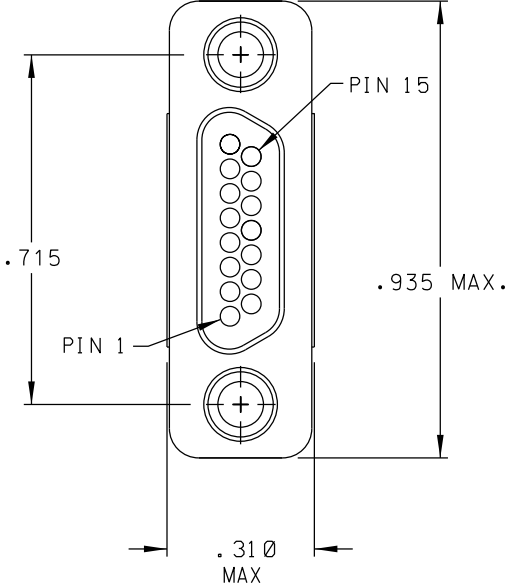
PART REV	DWG ISSUE	DATE	ECN NO.	APPVD BY	REL BY
E	E	5-20-09	UMI 3874	DW	DW
E	F	9-19-11	UMI 4467	DW	DW



FLOAT MOUNT BUSHING DIMENSIONS SCALE 8:1



FLANGE DIMENSIONS SCALE 4:1



1. MARKING: UMI, DATE CODE, UMI P/N.
 NOTES: UNLESS OTHERWISE SPECIFIED.

QUALITY SYMBOLS CRITICAL SPECIAL KEY	UNLESS SPECIFIED: ALL DIMENSIONS IN INCHES GENERAL TOLERANCES: 3 PLACE ±.005 2 PLACE ±.01 ANGULAR ±2°	SCALE 4:1 DWG SIZE B	THIRD ANGLE PROJECTION	REVISE ON CAD ONLY		
	ALL EXTERNAL SPECIFICATIONS REFERENCED ON THIS DRAWING SHALL BE TO THE LATEST REVISION IN EFFECT Ulti-Mate CAGE CODE 58967	DRAWN BY & DATE DW 3-15-05	TITLE: CIRCUIT CONNECTOR, PLUG, SIZE 15, STYLE 16 BACKSHELL, CB16R15P0-F01			
		CHECKED BY & DATE SEE ECN	MATERIAL: 			
		APPROVED BY & DATE SEE ECN	CAD FILENAME SD-836721711.DGN	PART NO. 836721711	DRAWING NO. SD-836721711	SHEET NO. 1 OF 1

THIS DRAWING CONTAINS INFORMATION THAT IS PROPRIETARY TO ULTI-MATE INCORPORATED AND SHOULD NOT BE USED WITHOUT WRITTEN PERMISSION.