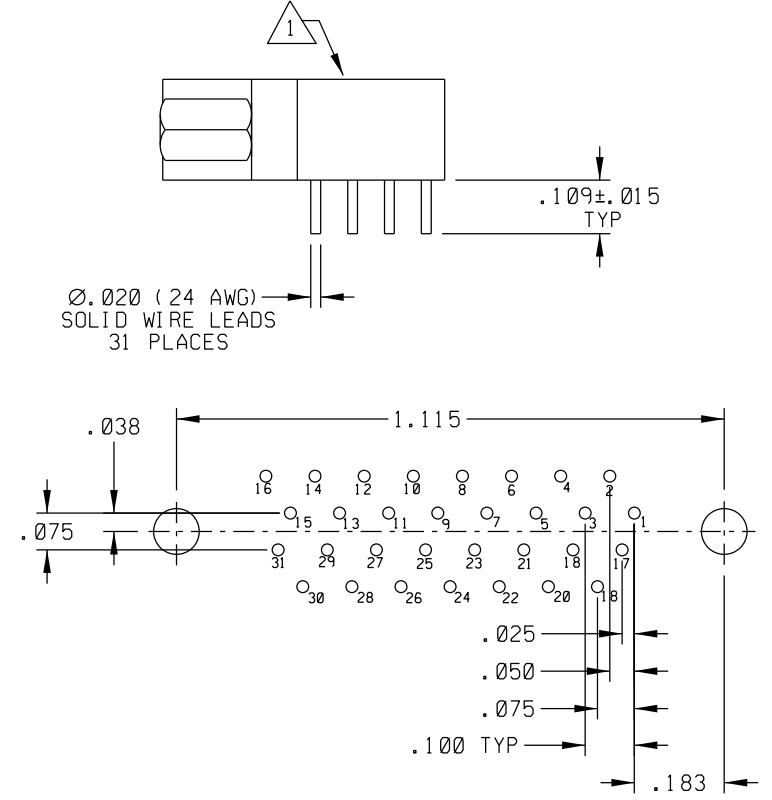
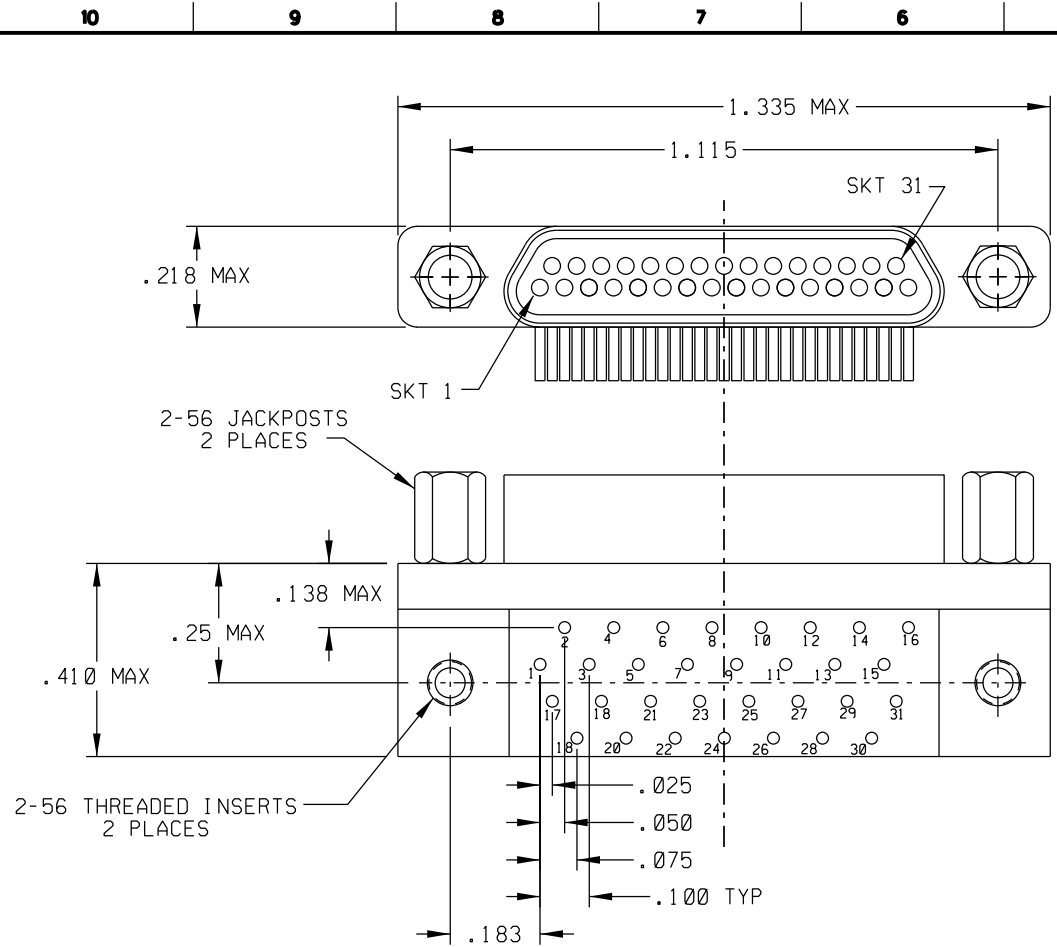


PART REV	DWG ISSUE	DATE	ECN NO.	APPVD BY	REL BY
-	-	5-13-15	UMI 5601	TP	DW



4 NUMBERS ARE SHOWN FOR REFERENCE ONLY AND DO NOT APPEAR ON PART.

3. PERFORMANCE SPECIFICATIONS:  
 CURRENT RATING: 3 AMPS MAX  
 INSULATION RESISTANCE: 5000 MEGOHMS MIN  
 DWV 600 VAC  
 TEMPERATURE RATING: 125°C

2 MATERIALS:  
 BODY/INSULATOR AND BACKSHELL: PPS PER MIL-M-24519 GST-40F  
 PIN CONTACTS: C17200 BERYLLIUM COPPER PER ASTM-B194, GOLD PLATED PER ASTM B488

24 AWG SOLID WIRE LEADS: TIN PLATED COPPER ALLOY PER A-A-59551 TYPE S  
 HARDWARE: STAINLESS STEEL, PASSIVATED PER AMS 2700

1 MARKING: UMI, DATE CODE, AND UMI P/N

NOTES: UNLESS OTHERWISE SPECIFIED.

QUALITY SYMBOLS	UNLESS SPECIFIED: ALL DIMENSIONS IN INCHES/MM	SCALE 4 : 1	DWG SIZE B	THIRD ANGLE PROJECTION	REVISE ON CAD ONLY
	GENERAL TOLERANCES: 3 PLACE ± .005 2 PLACE ± .01 ANGULAR ± 2°	DRAWN BY & DATE DW 5-13-15		TITLE: CIRCUIT CONNECTOR, LOW PROFILE, SIZE 31, STYLE 8 (RIGHT ANGLE) PLASTIC, CP8R31S07T	
CRITICAL	ALL EXTERNAL SPECIFICATIONS REFERENCED ON THIS DRAWING SHALL BE TO THE LATEST REVISION IN EFFECT	CHECKED BY & DATE SEE ECN		MATERIAL:	
SPECIAL		APPROVED BY & DATE SEE ECN		Ulti-Mate Connector Inc.	
KEY	Ulti-Mate CAGE CODE <b>58967</b>	CAD FILENAME SD-83665881 8.DGN	PART NO. 83665881 8	DRAWING NO. SD-83665881 8	SHEET NO. 1 OF 1
		THIS DRAWING CONTAINS INFORMATION THAT IS PROPRIETARY TO ULTI-MATE INCORPORATED AND SHOULD NOT BE USED WITHOUT WRITTEN PERMISSION.			PART REV -