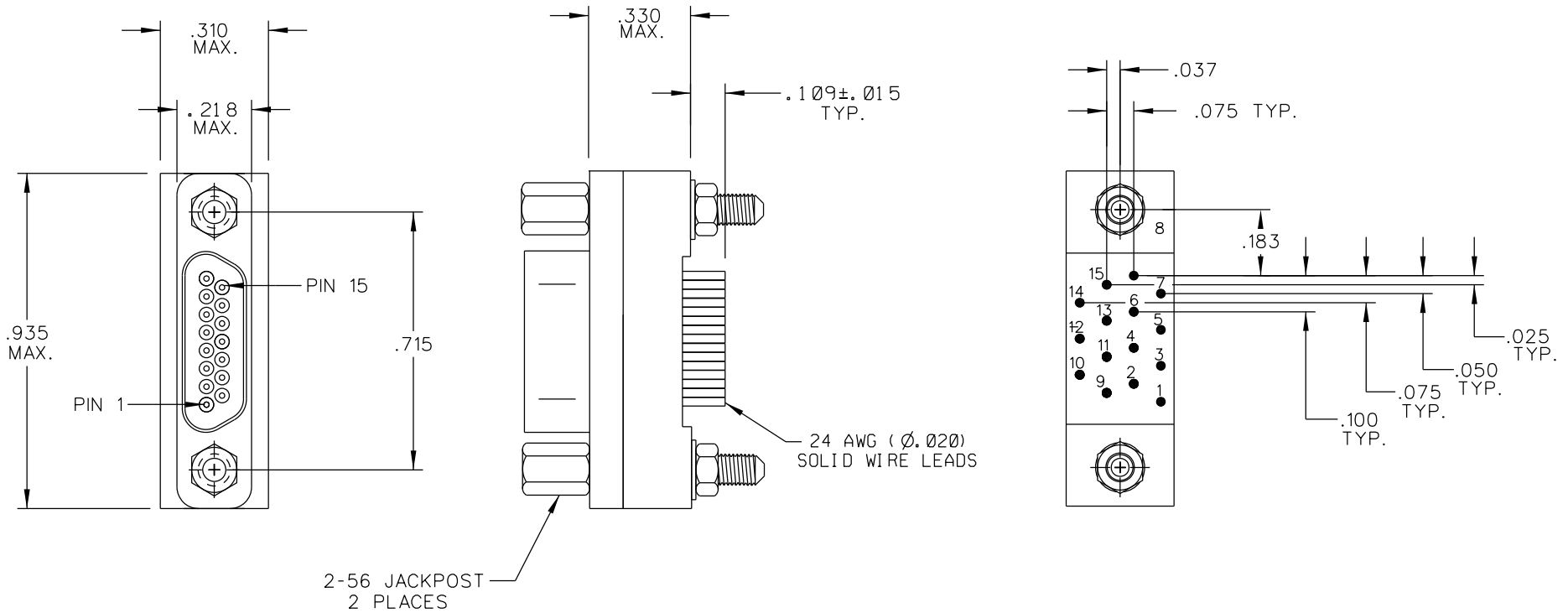


PART REV	DWG ISSUE	DATE	ECN NO.	APPVD BY	REL BY
-	-	3-31-11	UMI 4343		



MATERIALS:
 BODY/INSULATOR: PPS PER MIL-M-24519 GST-40F, COLOR: BLACK
 PIN CONTACTS: C17200 BERYLLIUM COPPER PER ASTM B194,
 GOLD PLATED PER ASTM B488
 24 AWG LEADS: TIN PLATED COPPER ALLOY
 HARDWARE: 300 SERIES STAINLESS STEEL IAW MIL-DTL-83513, PASSIVATED
 1. MARKING: "UMI", UMI PART NO., AND DATE CODE.
 NOTES: UNLESS OTHERWISE SPECIFIED.

QUALITY SYMBOLS	UNLESS SPECIFIED: ALL DIMENSIONS IN INCHES	SCALE NONE	DWG SIZE B	THIRD ANGLE PROJECTION	REVISE ON CAD ONLY
MAJOR	GENERAL TOLERANCES: 3 PLACE $\pm .005$ 2 PLACE $\pm .01$ ANGULAR $\pm 2^\circ$	DRAWN BY & DATE DW 3-31-11	CHECKED BY & DATE	TITLE: LOW PROFILE CIRCUIT CONNECTOR, MALE, SIZE 15, STYLE 6 (VERTICAL), CP6R15P07	
CRITICAL	Uti-Mate CAGE CODE 58967	APPROVED BY & DATE	MATERIAL:	Uti-Mate Connector Inc.	
SPC		CAD FILENAME SD-836528617.DGN	PART NO. 836528617	DRAWING NO. SD-836528617	SHEET NO. 1 OF 1
S		THIS DRAWING CONTAINS INFORMATION THAT IS PROPRIETARY TO ULTI-MATE INCORPORATED AND SHOULD NOT BE USED WITHOUT WRITTEN PERMISSION.			
					REV -