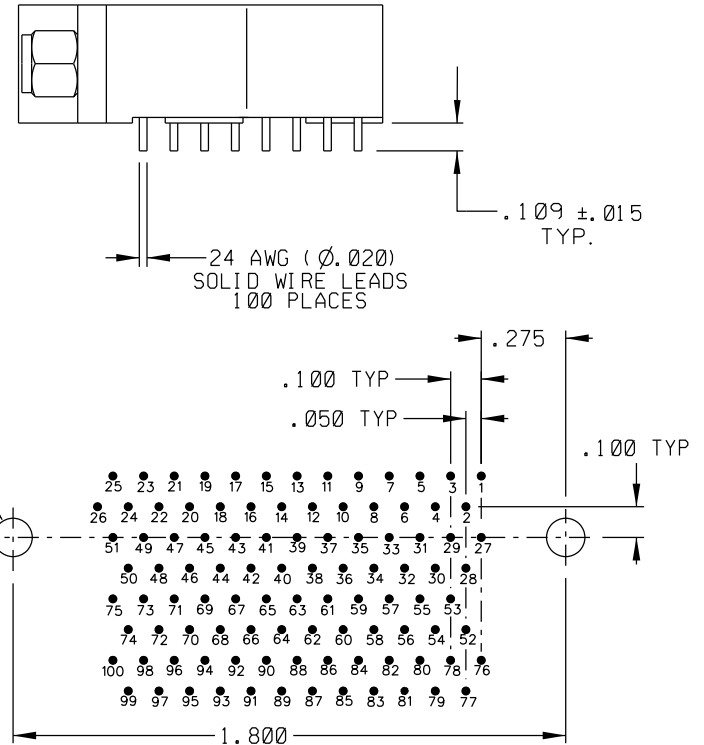
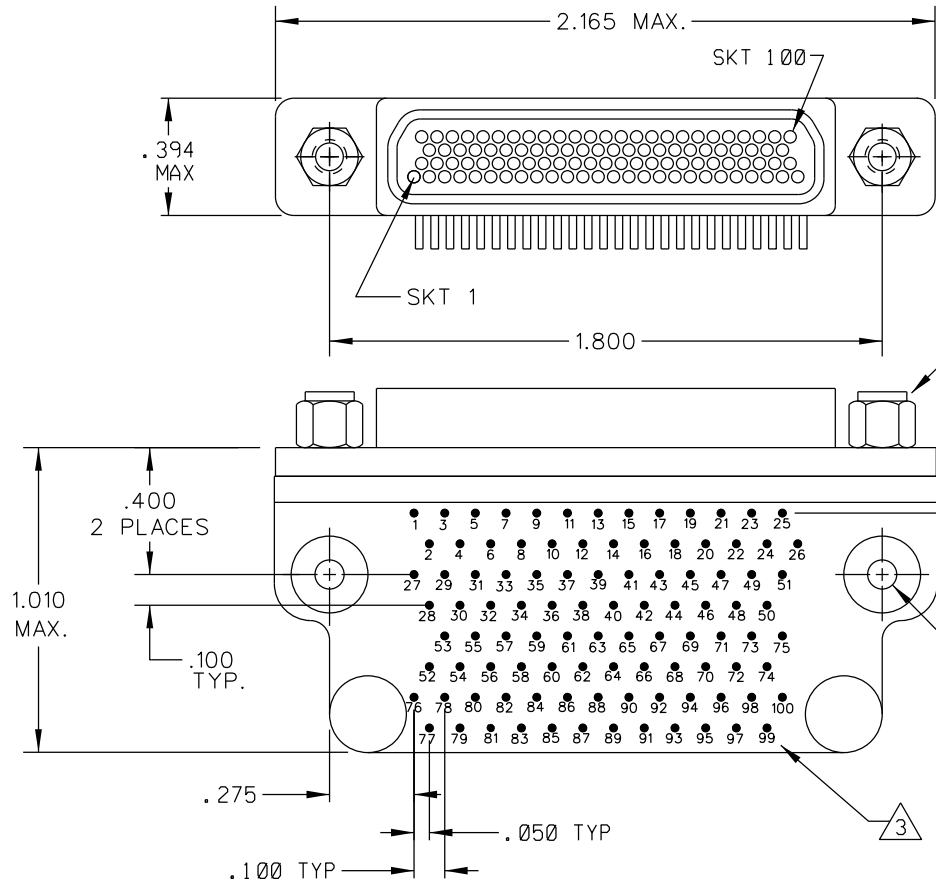


PART REV	DWG ISSUE	DATE	ECN NO.	APPVD BY	REL BY
-	-	11-13-09	UMI3985	DW	DW



RECOMMENDED PCB LAYOUT

3 NUMBERS ON BACKSHELL ARE SHOWN FOR REFERENCE ONLY AND DO NOT APPEAR ON PART
 2 MATERIALS:
 SHELL: 6061-T6 ALUMINUM PER QQ-A200/8 CADMIUM PLATED PER SAE-AMS-QQ-P-416
 INSULATOR AND BACKSHELL: PPS PER MIL-M-24519 GST-40F
 SOCKET CONTACTS: COPPER ALLOY CDA 210 1/2 HARD GOLD PLATED PER ASTM B488
 24 AWG SOLID WIRE LEADS: TIN PLATED COPPER ALLOY
 HARDWARE: STAINLESS STEEL, PASSIVATED PER AMS 2700
 INTERFACIAL SEAL: FLOUROSILICONE
 1. MARKING: UMI, DATE CODE, UMI P/N.
 NOTES: UNLESS OTHERWISE SPECIFIED

QUALITY SYMBOLS CRITICAL SPECIAL KEY	UNLESS SPECIFIED: ALL DIMENSIONS IN INCHES GENERAL TOLERANCES: 3 PLACE ±.002 2 PLACE ±.005 ANGULAR ±2°	SCALE NONE DWG SIZE B DRAWN BY & DATE DW 11-13-09 CHECKED BY & DATE SEE ECN APPROVED BY & DATE SEE ECN	THIRD ANGLE PROJECTION REVISE ON CAD ONLY	TITLE: CIRCUIT CONNECTOR, CMIR100S17		
	ALL EXTERNAL SPECIFICATIONS REFERENCED ON THIS DRAWING SHALL BE TO THE LATEST REVISION IN EFFECT Ulti-Mate CAGE CODE 58967	CAD FILENAME SD-836280117.DGN	PART NO. 836280117	DRAWING NO. SD-836280117	SHEET NO. 1 OF 1	PART REV -
	THIS DRAWING CONTAINS INFORMATION THAT IS PROPRIETARY TO ULTI-MATE INCORPORATED AND SHOULD NOT BE USED WITHOUT WRITTEN PERMISSION.					
	Uti-Mate Connector Inc.					