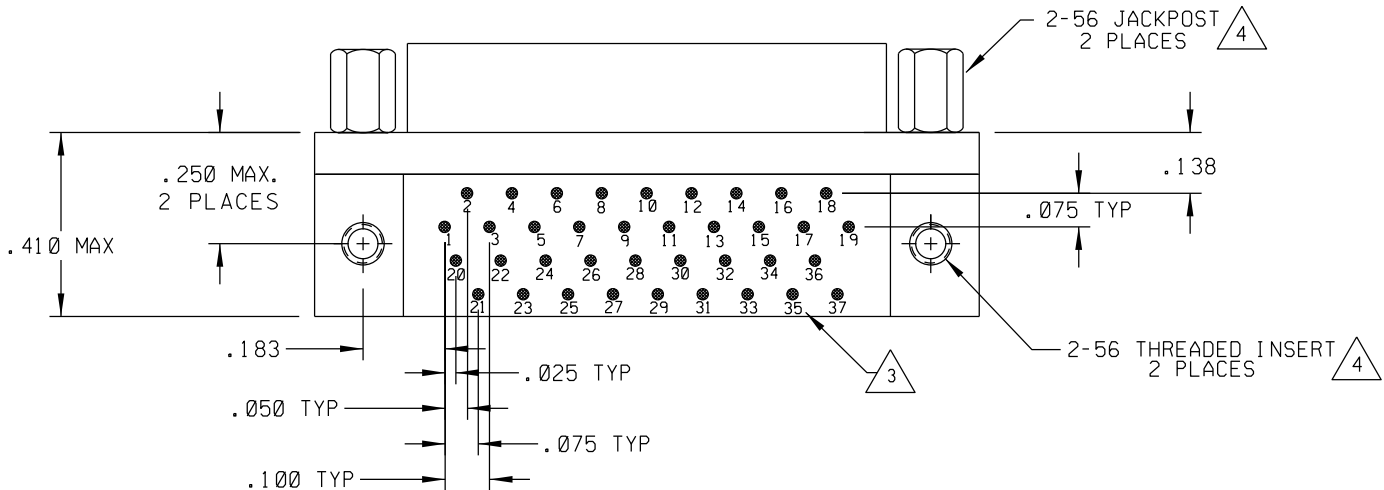
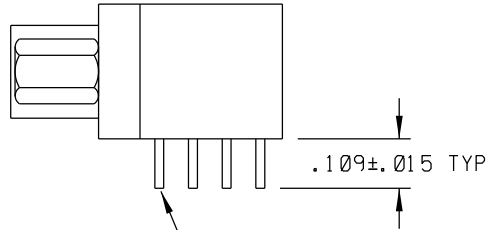
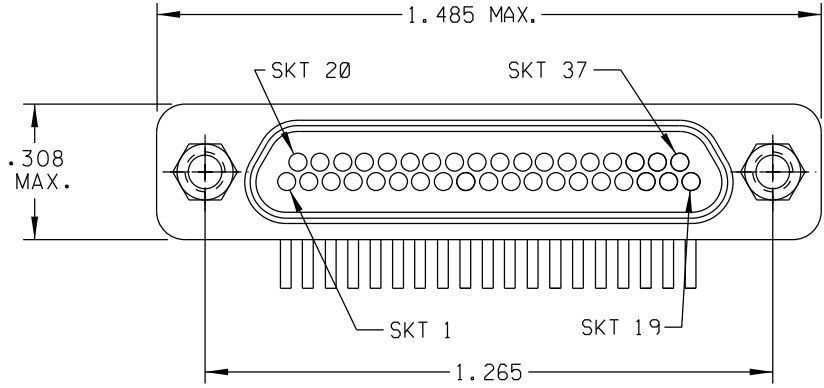


| PART REV | DWG ISSUE | DATE     | ECN NO.  | APPVD BY | REL BY |
|----------|-----------|----------|----------|----------|--------|
| -        | -         | 12-17-10 | UMI 4265 | DW       | DW     |

F  
E  
D  
C  
B  
A



4 JACKPOSTS AND THREADED INSERTS DO NOT MAKE CONTACT WITH EACH OTHER.

3 NUMBERS SHOWN ON BACKSHELL ARE FOR REFERENCE ONLY AND MAY NOT APPEAR ON PART.

2 MATERIALS:  
 SHELL: NICKEL PLATED 6061-T6 ALUMINUM  
 INSULATOR AND BACKSHELL: PPS PER MIL-M-24519 GST-40F  
 SOCKET CONTACTS: GOLD PLATED COPPER ALLOY  
 24 AWG LEADS: TIN PLATED COPPER ALLOY  
 JACKPOSTS AND INSERTS: 300 SERIES STAINLESS STEEL, PASSIVATED PER AMS 2700

INTERFACIAL SEAL: FLUOROSILICONE  
 1. MARKING: UMI, DATE CODE, UMI P/N.  
 NOTES: UNLESS OTHERWISE SPECIFIED.

|   |  |   |  |                     |                         |
|---|--|---|--|---------------------|-------------------------|
| QUALITY SYMBOLS<br>CRITICAL $\nabla$ C/0<br>MAJOR $\nabla$ 0<br>NO SYMBOL + MINOR DIMENSION | UNLESS SPECIFIED:<br>ALL DIMENSIONS IN INCHES<br>GENERAL TOLERANCES:<br>3 PLACE ± .005<br>2 PLACE ± .01<br>ANGULAR ± 2°              | SCALE NONE<br>DWG SIZE B  | THIRD ANGLE PROJECTION   | REVISE ON CAD ONLY  |                         |
|   | ALL EXTERNAL SPECIFICATIONS REFERENCED ON THIS DRAWING SHALL BE TO THE LATEST REVISION IN EFFECT<br>Ulti-Mate CAGE CODE <b>58967</b> | DRAWN BY & DATE<br>DW 12-17-10<br>CHECKED BY & DATE<br>SEE ECN<br>APPROVED BY & DATE<br>SEE ECN | TITLE:<br>CIRCUIT CONNECTOR, RECEPTACLE, SIZE 37, STYLE 8, W/JACKPOSTS, CM8R37S07T-S01 | MATERIAL:<br>2      | Uti-Mate Connector Inc. |
|   | CAD FILENAME<br>SD-836261818.DGN   | PART NO.<br>836261818   | DRAWING NO.<br>SD-836261818  | SHEET NO.<br>1 OF 1 | PART REV<br>-           |
|   | THIS DRAWING CONTAINS INFORMATION THAT IS PROPRIETARY TO ULTI-MATE INCORPORATED AND SHOULD NOT BE USED WITHOUT WRITTEN PERMISSION.   |   |  |                     |                         |