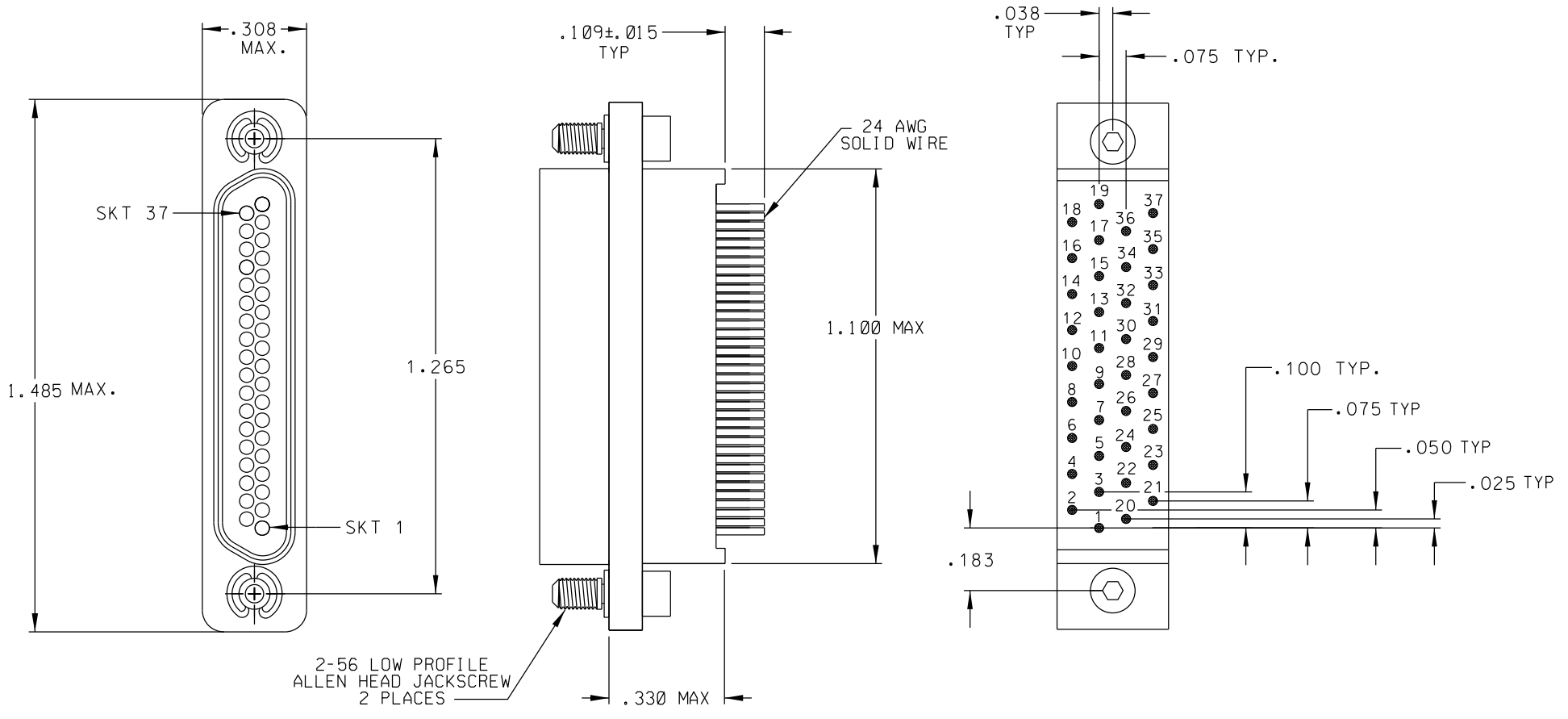


PART REV	DWG ISSUE	DATE	ECN NO.	APPVD BY	REL BY
-	-	2-9-15	UMI 5528	TP	DW



3. NUMBERS ON BACKSHELL ARE SHOWN FOR REFERENCE ONLY AND DO NOT APPEAR ON PART



MATERIALS:
 SHELL: 6061-T6 ALUMINUM PER AMS-QQ-A200/8,
 CADMIUM PLATED PER AMS-QQ-P-416
 INSULATOR AND BACKSHELL: PPS PER MIL-M-24519 GST-40F
 SOCKET CONTACTS: GOLD PLATED COPPER ALLOY
 24 AWG LEADS: TIN PLATED COPPER ALLOY
 INTERFACIAL SEAL: FLUOROSILICONE

1. MARKING: UMI, DATE CODE, UMI P/N.

NOTES: UNLESS OTHERWISE SPECIFIED.

QUALITY SYMBOLS CRITICAL SPECIAL KEY	UNLESS SPECIFIED: ALL DIMENSIONS IN INCHES GENERAL TOLERANCES: 3 PLACE ±.005 2 PLACE ±.01 ANGULAR ±2°	SCALE NONE DWG SIZE B DRAWN BY & DATE DW 2-18-09 CHECKED BY & DATE SEE ECN APPROVED BY & DATE SEE ECN	THIRD ANGLE PROJECTION REVISE ON CAD ONLY TITLE: CIRCUIT CONNECTOR, SIZE 37 FEMALE, STYLE 16, CAD PLATED, CMI6R37S02 MATERIAL: 	Uti-Mate Connector Inc.	
	ALL EXTERNAL SPECIFICATIONS REFERENCED ON THIS DRAWING SHALL BE TO THE LATEST REVISION IN EFFECT Uti-Mate CAGE CODE 58967	CAD FILENAME SD-836260712.DGN	PART NO. 836260712	DRAWING NO. SD-836260712	SHEET NO. 1 OF 1 PART REV -
	THIS DRAWING CONTAINS INFORMATION THAT IS PROPRIETARY TO ULTI-MATE INCORPORATED AND SHOULD NOT BE USED WITHOUT WRITTEN PERMISSION.				
	Uti-Mate logo and company name.				