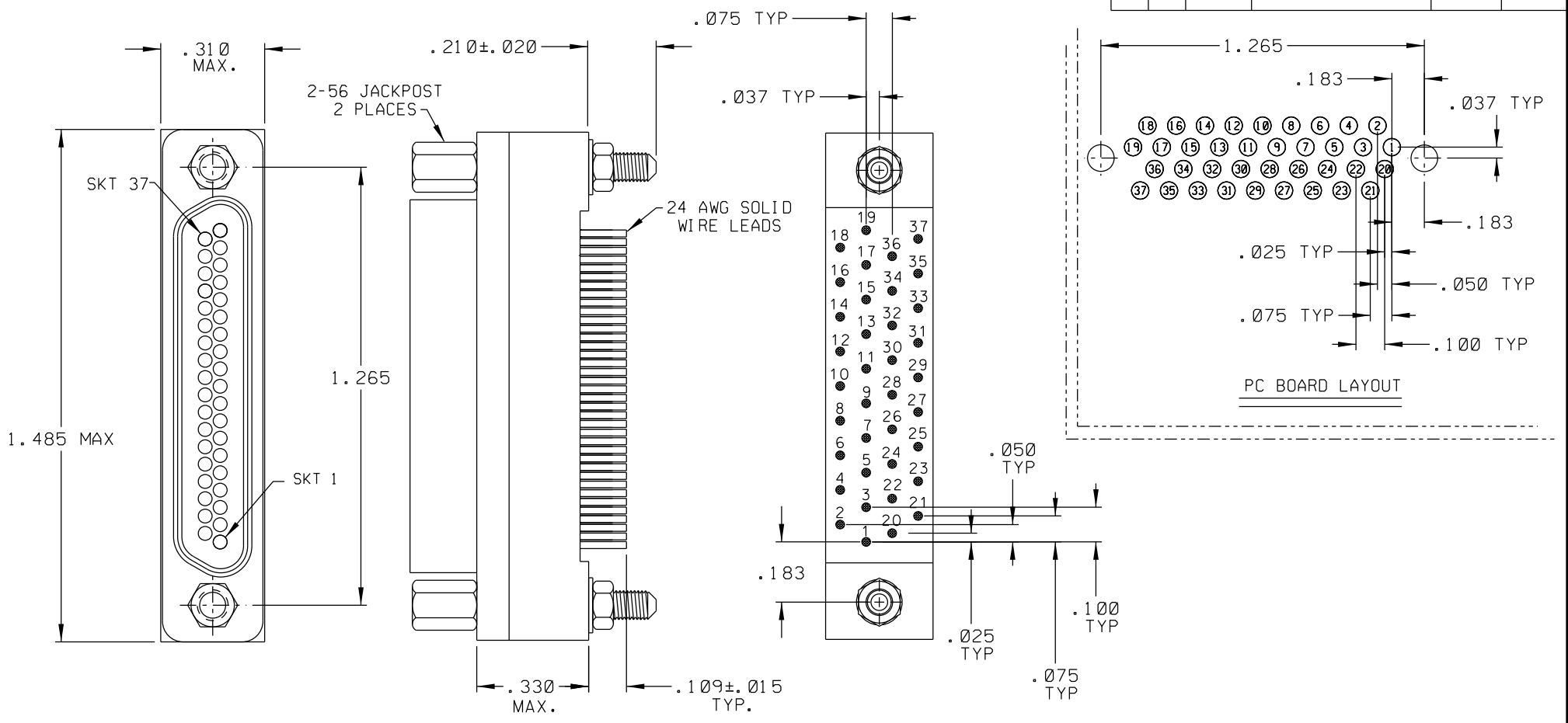


PART REV	DWG ISSUE	DATE	ECN NO.	APPVD BY	REL BY
-	-	8-23-07	UMI 3535	DW	DW



3. NUMBERS ON BACKSHELL ARE SHOWN FOR REFERENCE ONLY AND DO NOT APPEAR ON PART



MATERIALS:
 SHELL: CADMIUM PLATED 6061-T6 ALUMINUM
 INSULATOR AND BACKSHELL: PPS PER MIL-M-24519 GST-40F
 SOCKET CONTACTS: GOLD PLATED COPPER ALLOY
 24 AWG LEADS: TIN PLATED COPPER ALLOY
 HARDWARE: STAINLESS STEEL, PASSIVATED PER QQ-P-35
 INTERFACIAL SEAL: FLUOROSILICONE

1. MARKING: UMI, DATE CODE, UMI P/N.

NOTES: UNLESS OTHERWISE SPECIFIED.

QUALITY SYMBOLS CRITICAL SPECIAL KEY	UNLESS SPECIFIED: ALL DIMENSIONS IN INCHES GENERAL TOLERANCES: 3 PLACE ± .005 2 PLACE ± .01 ANGULAR ± 2°	SCALE: NONE DWG SIZE: B THIRD ANGLE PROJECTION	REVISE ON CAD ONLY	
	ALL EXTERNAL SPECIFICATIONS REFERENCED ON THIS DRAWING SHALL BE TO THE LATEST REVISION IN EFFECT Ulti-Mate CAGE CODE 58967	DRAWN BY & DATE: DW 8-23-07 CHECKED BY & DATE: SEE ECN APPROVED BY & DATE: SEE ECN	TITLE: CIRCUIT CONNECTOR, SIZE 37 RECEPTACLE, CM6R37S07	MATERIAL: 2 Ulti-Mate Connector Inc.
		CAD FILENAME: SD-836260617.DGN	PART NO.: 836260617	DRAWING NO.: SD-836260617
		THIS DRAWING CONTAINS INFORMATION THAT IS PROPRIETARY TO ULTI-MATE INCORPORATED AND SHOULD NOT BE USED WITHOUT WRITTEN PERMISSION.		SHEET NO.: 1 OF 1 PART REV: -