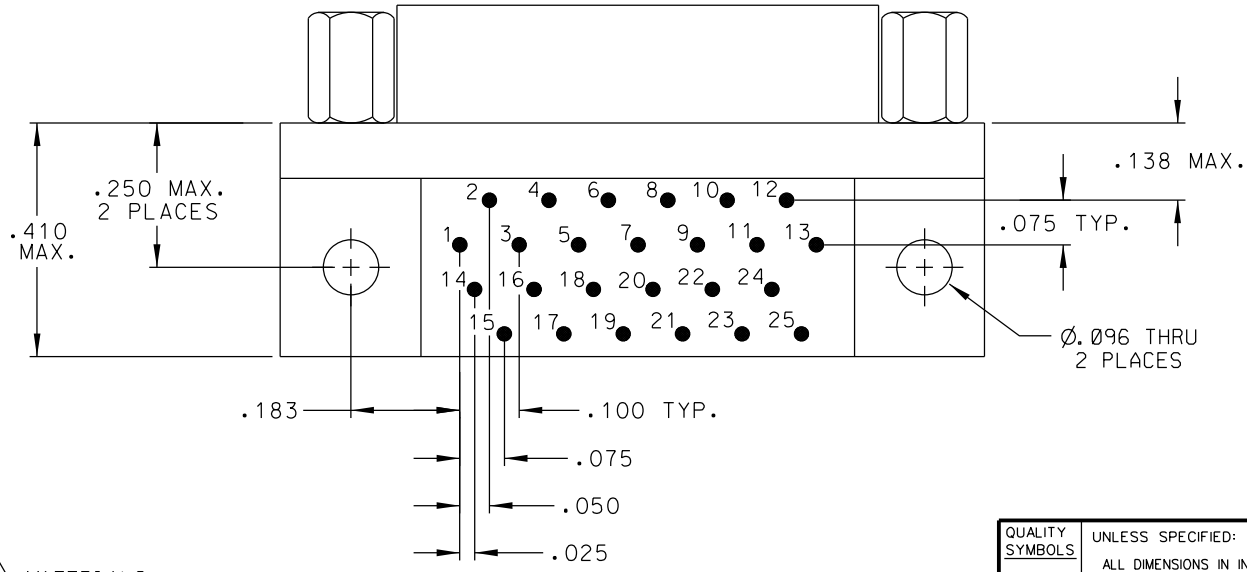
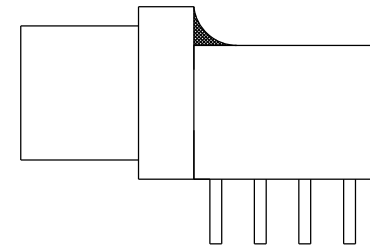
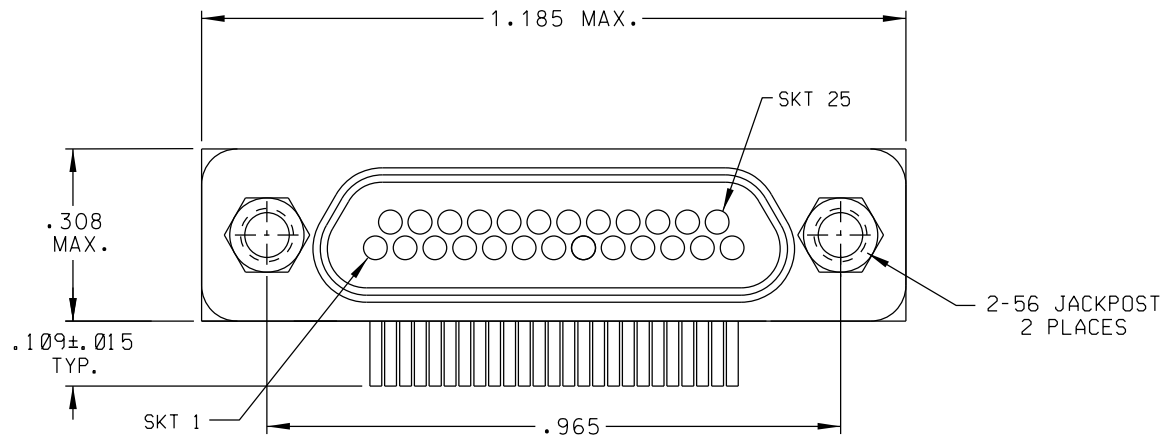


PART REV	DWG ISSUE	DATE	ECN NO.	APPVD BY	REL BY
-	-	5-31-11	UMI 4397		



2 MATERIALS:
 SHELL: NICKEL PLATED 6061-T6 ALUMINUM
 INSULATOR AND BACKSHELL: PPS PER MIL-M-24519 GST-40F
 SOCKET CONTACTS: GOLD PLATED COPPER ALLOY
 24 AWG LEADS: TIN PLATED COPPER ALLOY
 HARDWARE: STAINLESS STEEL, PASSIVATED PER QQ-P-35
 INTERFACIAL SEAL: FLUOROSILICONE
 1. MARKING: UMI, DATE CODE, UMI P/N.

NOTES: UNLESS OTHERWISE SPECIFIED.

QUALITY SYMBOLS MAJOR CRITICAL SPC	UNLESS SPECIFIED: ALL DIMENSIONS IN INCHES GENERAL TOLERANCES: 3 PLACE ± .005 2 PLACE ± .01 ANGULAR ± 2°	SCALE: NONE DWG SIZE: B THIRD ANGLE PROJECTION	REVISE ON CAD ONLY		
	DRAWN BY & DATE: DW 5-31-11	TITLE: CIRCUIT CONNECTOR, STYLE 8, SIZE 25, CM8R25S07-S01			
	CHECKED BY & DATE	MATERIAL: 2 Uti-Mate Connector Inc.			
	APPROVED BY & DATE	CAD FILENAME: SD-836241817.DGN	PART NO.: 836241817	DRAWING NO.: SD-836241817	SHEET NO.: 1 OF 1
Uti-Mate CAGE CODE 58967	THIS DRAWING CONTAINS INFORMATION THAT IS PROPRIETARY TO ULTI-MATE INCORPORATED AND SHOULD NOT BE USED WITHOUT WRITTEN PERMISSION.				
					REV: -