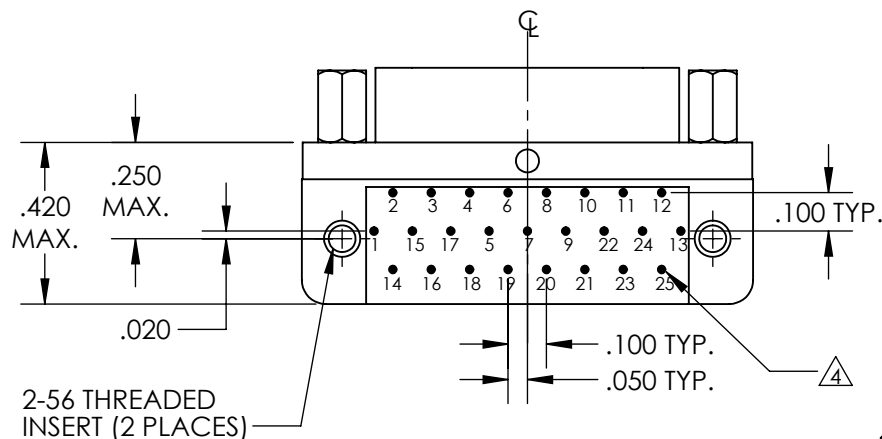
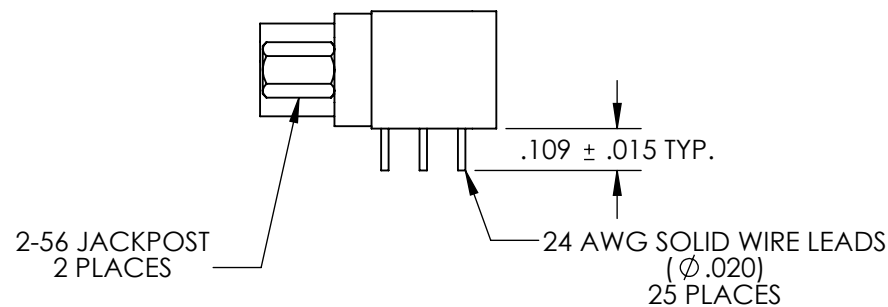
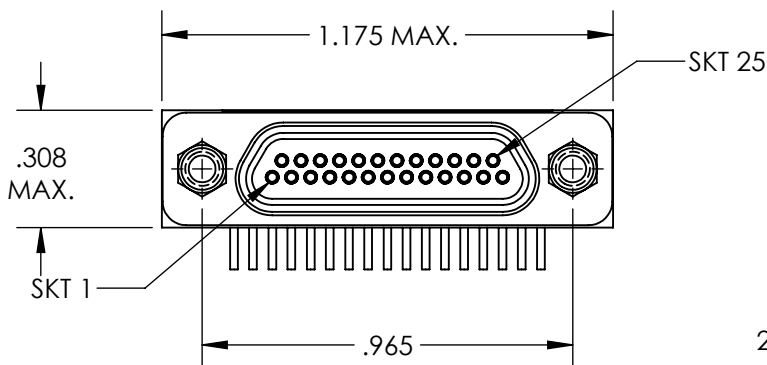
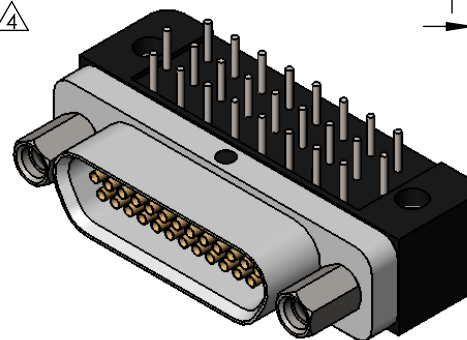
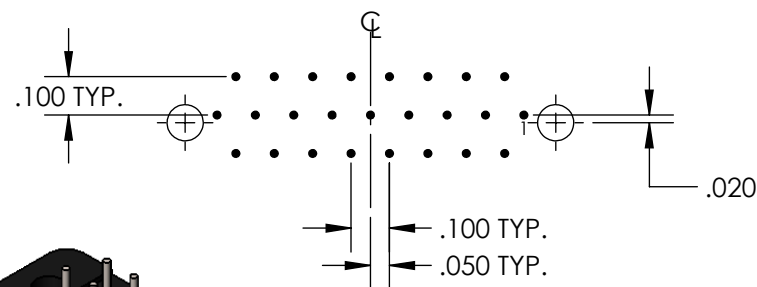


REVISIONS

DWG. ISSUE	PART REV.	ECN NO.	DATE
-	-	UMI4777	11/7/2012



RECOMMEND PCB LAYOUT



- ⚠ NUMBERS ARE FOR REFERENCE ONLY AND DO NOT APPEAR ON PART
- 3. PERFORMANCE SPECIFICATIONS:
 CURRENT RATING: 3A MAX.
 INSULATION RESISTANCE: 5000 MΩ MIN.
 DWV: 600 VAC
 TEMPERATURE RATING: 125°C
 CONTACT RESISTANCE: 8 mΩ MAX AT 2.5 AMPS

- ⚠ MATERIALS:
 SHELL: 6061-T6 ALUMINUM PER AMS-QQ-A200/8, CADMIUM PLATED PER AMS-QQ-P-416
 INSULATOR AND BACKSHELL: PPS PER MIL-M-24519 GST-40F, COLOR: BLK
 SOCKET CONTACTS: C21000 BRASS ALLOY PER ASTM B36, GOLD PLATED PER ASTM B488
 24 AWG LEADS: TIN PLATED COPPER ALLOY PER A-A-59551 TYPE S
 HARDWARE: PASSIVATED STAINLESS STEEL IAW MIL-DTL-83513/5
 INTERFACIAL SEAL: FLUOROSILICONE PER MIL-R-25988

1. MARKINGS: UMI, UMI PART NO., AND DATE CODE
 NOTES: UNLESS OTHERWISE SPECIFIED

QUALITY SYMBOLS MAJOR ▼ = CRITICAL C = SPC S =	UNLESS SPECIFIED: ALL DIMENSIONS IN INCHES GENERAL TOLERANCES: 3 PLACE ±.005 2 PLACE ±.01 ANGULAR ±2°	SCALE 2:1 DWG SIZE A	THIRD ANGLE PROJECTION REVISE ON CAD ONLY
	UMI-Mate CAGE CODE 58967	DRAWN BY & DATE J.BUZOIANU 11/7/2012 CHECKED BY & DATE	TITLE MICRO-D CONNECTOR, RECEPTACLE, STYLE 1, SIZE 25 CM1R25S071
		CAD FILENAME SD-836240118.slddrw	PART NO. 836240118
		DRAWING NO. SD-836240118	SHEET NO. 1 OF 1
THIS DRAWING CONTAINS INFORMATION THAT IS PROPRIETARY TO ULTI-MATE INCORPORATED AND SHOULD NOT BE USED WITHOUT WRITTEN PERMISSION.			PART REV. -