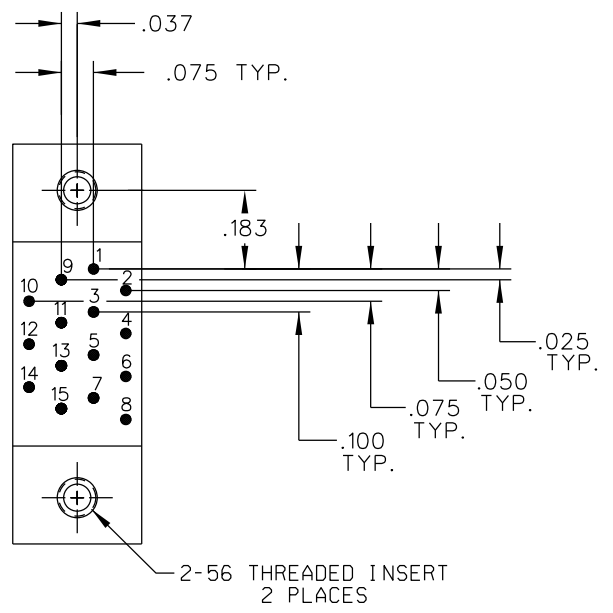
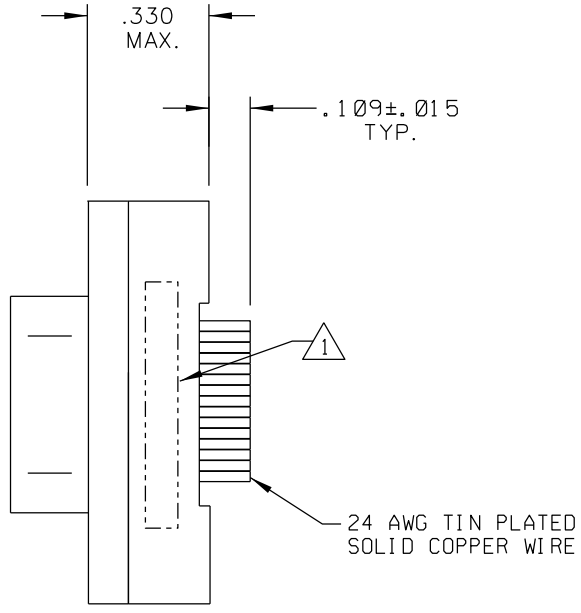
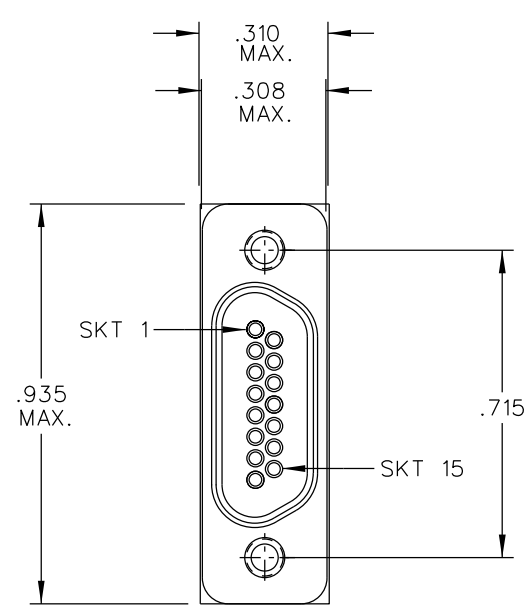


PART REV	DWG ISSUE	DATE	ECN NO.	APPVD BY	REL BY
-	-	1-21-14	UMI 5209	DW	DW



3. PERFORMANCE SPECIFICATIONS:
 CURRENT RATING: SIGNAL CONTACTS: 3 AMPS MAX
 INSULATION RESISTANCE: 5000 MEGOHMS MIN.
 DWV: 600 VAC;
 TEMPERATURE RATING: 125° C

- ② MATERIALS:
 SHELL: 6061-T6 ALUMINUM PER AS-QQ-A200/8, NICKEL PLATED PER AMS 2404
 INSULATOR AND BACKSHELL: PPS PER MIL-M-24519 GST-40F, COLOR: BLACK
 SOCKET CONTACTS: C21000 COPPER ALLOY PER ASTM B36,
 GOLD PLATED PER ASTM B488
 24 AWG LEADS: TIN PLATED COPPER ALLOY PER A-A-59551 TYPE S
 THREADED INSERT: STAINLESS STEEL, PASSIVATED PER AMS 2700
 INTERFACIAL SEAL: FLUOROSILICONE PER MIL-R-25988
- ① MARKING: "UMI", UMI PART NO., AND DATE CODE.

NOTES: UNLESS OTHERWISE SPECIFIED.

QUALITY SYMBOLS CRITICAL MAJOR NO SYMBOL MINOR DIMENSION	UNLESS SPECIFIED: ALL DIMENSIONS IN INCHES GENERAL TOLERANCES: 3 PLACE ± .005 2 PLACE ± .01 ANGULAR ± 2°	SCALE NONE	DWG SIZE B	THIRD ANGLE PROJECTION	REVISE ON CAD ONLY	
	ALL EXTERNAL SPECIFICATIONS REFERENCED ON THIS DRAWING SHALL BE TO THE LATEST REVISION IN EFFECT	DRAWN BY & DATE DW 1-21-14	TITLE: CIRCUIT CONNECTOR, CM6R15S0T-S01			
	Uti-Mate CAGE CODE 58967	CHECKED BY & DATE SEE ECN	MATERIAL: ② Uti-Mate Connector Inc.		PART NO. 836221 61 9	DRAWING NO. SD-836221 61 9
	Uti-Mate CAGE CODE 58967	APPROVED BY & DATE SEE ECN	CAD FILENAME SD-836221 61 9.DGN	PART NO. 836221 61 9	DRAWING NO. SD-836221 61 9	SHEET NO. 1 OF 1

THIS DRAWING CONTAINS INFORMATION THAT IS PROPRIETARY TO ULTI-MATE INCORPORATED AND SHOULD NOT BE USED WITHOUT WRITTEN PERMISSION.