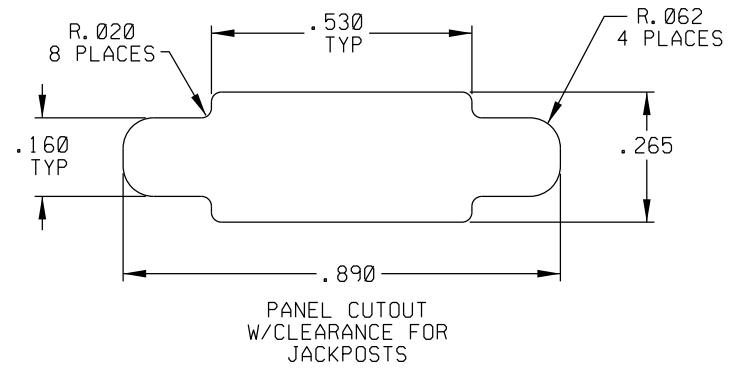
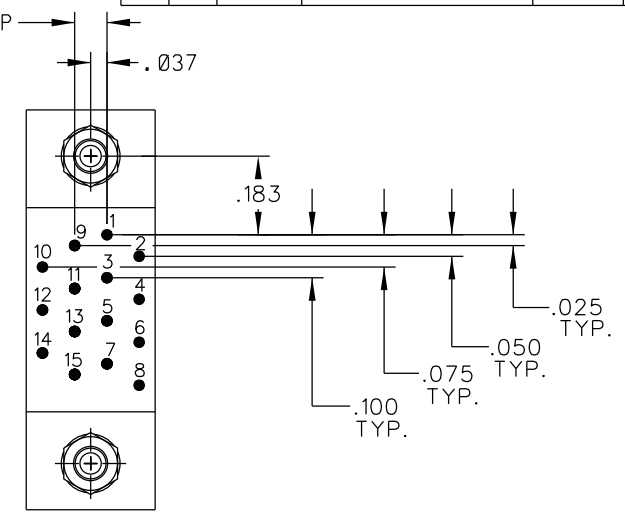
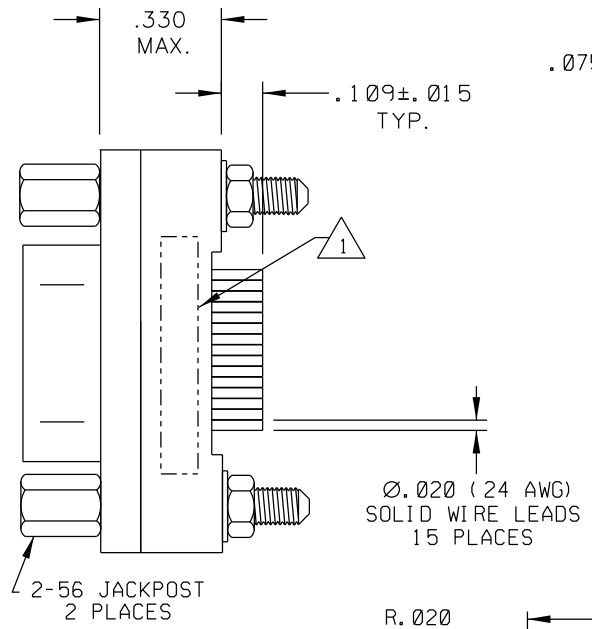
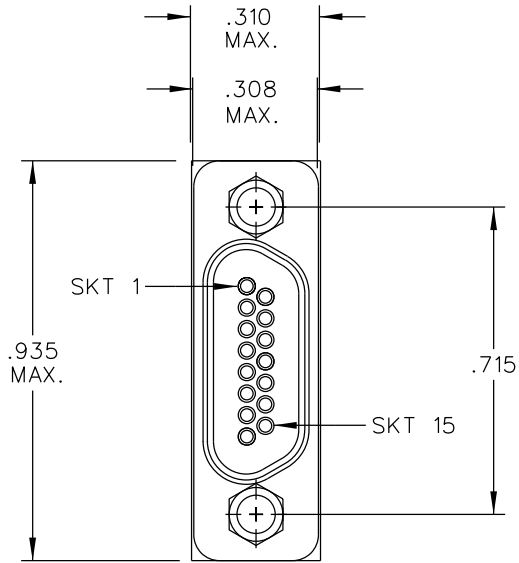


PART REV	DWG ISSUE	DATE	ECN NO.	APPVD BY	REL BY
-	-	7-1-16	UMI 6016	DW	DW



- 2 MATERIALS:  
SHELL: 6061-T6 ALUMINUM PER AMS-QQ-A200/8, NICKEL PLATED PER AMS 2404  
INSULATOR AND BACKSHELL: PPS PER MIL-M-24519 GST-40F, COLOR: BLACK  
SOCKET CONTACTS: C21000 COPPER ALLOY PER ASTM B36, GOLD PLATED PER ASTM B488  
24 AWG LEADS: TIN PLATED COPPER ALLOY PER A-A-59551, TYPE S  
HARDWARE: PASSIVATED STAINLESS STEEL IAW MIL-DTL-83513/5  
INTERFACIAL SEAL: FLUOROSILICONE PER MIL-R-25988
- 1 MARKING: "UMI", UMI PART NO., DATE CODE, AND WORK ORDER NO..

NOTES: UNLESS OTHERWISE SPECIFIED.

QUALITY SYMBOLS	UNLESS SPECIFIED: ALL DIMENSIONS IN INCHES	SCALE NONE	DWG SIZE B	THIRD ANGLE PROJECTION	REVISE ON CAD ONLY	
	CRITICAL GENERAL TOLERANCES: 3 PLACE ±.005 2 PLACE ±.01 ANGULAR ±2°	DRAWN BY & DATE DW 10-9-06	CHECKED BY & DATE SEE ECN	TITLE: CIRCUIT CONNECTOR, CM6R15S07-S01		
SPL/MAJOR	ALL EXTERNAL SPECIFICATIONS REFERENCED ON THIS DRAWING SHALL BE TO THE LATEST REVISION IN EFFECT	APPROVED BY & DATE SEE ECN		MATERIAL: 2	Uti-Mate Connector Inc.	
KEY		CAD FILENAME SD-836221617.DGN	PART NO. 836221617	DRAWING NO. SD-836221617	SHEET NO. 1 OF 1	PART REV -
K	Uti-Mate CAGE CODE 58967	THIS DRAWING CONTAINS INFORMATION THAT IS PROPRIETARY TO ULTI-MATE INCORPORATED AND SHOULD NOT BE USED WITHOUT WRITTEN PERMISSION.				