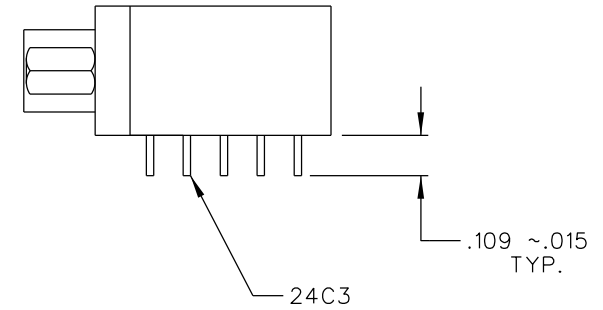
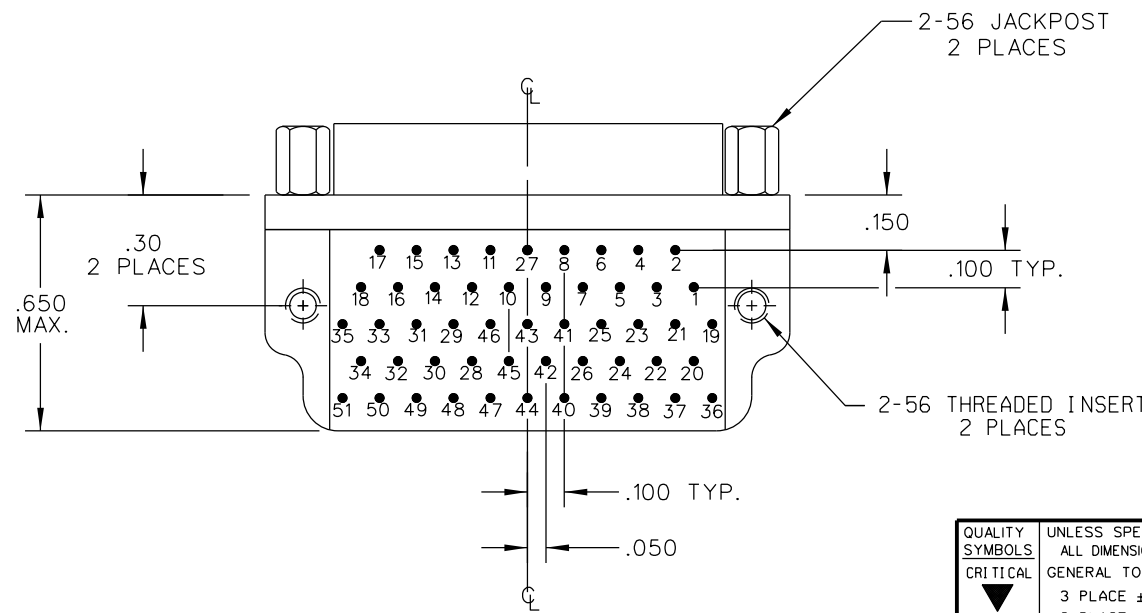
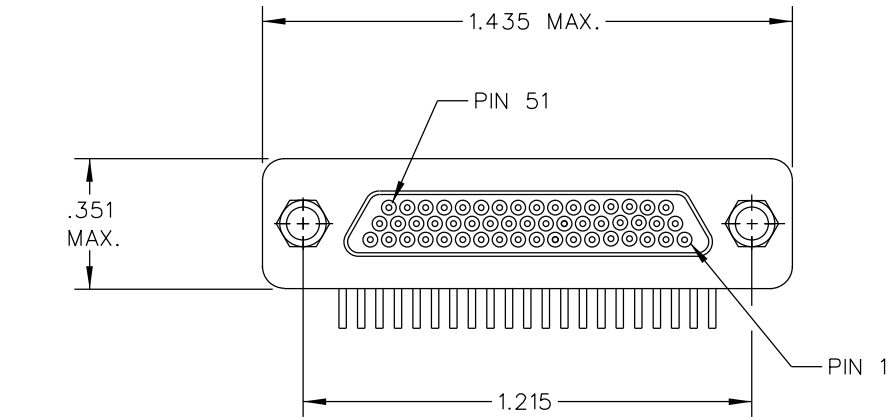


PART REV	DWG ISSUE	DATE	ECN NO.	APPVD BY	REL BY
A	A	3MAR98	UM8-0323	FVW	DLU



1. MARKING: UMI, DATE CODE, UMIP/N.
 NOTES: UNLESS OTHERWISE SPECIFIED

QUALITY SYMBOLS CRITICAL ▼	UNLESS SPECIFIED: ALL DIMENSIONS IN INCHES	SCALE 3 : 1	DWG SIZE B	THIRD ANGLE PROJECTION ⊙	REVISE ON CAD ONLY
	GENERAL TOLERANCES: 3 PLACE ± .005 2 PLACE ± .01 ANGULAR ± 2°	DRAWN BY & DATE D.URBACH 23MAR98		TITLE: CIRCUIT CONNECTOR, CM1R51-3P07T-S01	
SPECIAL Ⓢ	ALL EXTERNAL SPECIFICATIONS REFERENCED ON THIS DRAWING SHALL BE TO THE LATEST REVISION IN EFFECT	CHECKED BY & DATE SEE ECN		MATERIAL:	
KEY Ⓚ	Ulti-Mate CAGE CODE 58967	APPROVED BY & DATE SEE ECN	CAD FILENAME SD-83617118.DGN	PART NO. 83617118	DRAWING NO. SD-83617118
THIS DRAWING CONTAINS INFORMATION THAT IS PROPRIETARY TO ULTI-MATE INCORPORATED AND SHOULD NOT BE USED WITHOUT WRITTEN PERMISSION.				SHEET NO. 1 OF 1	PART REV A

