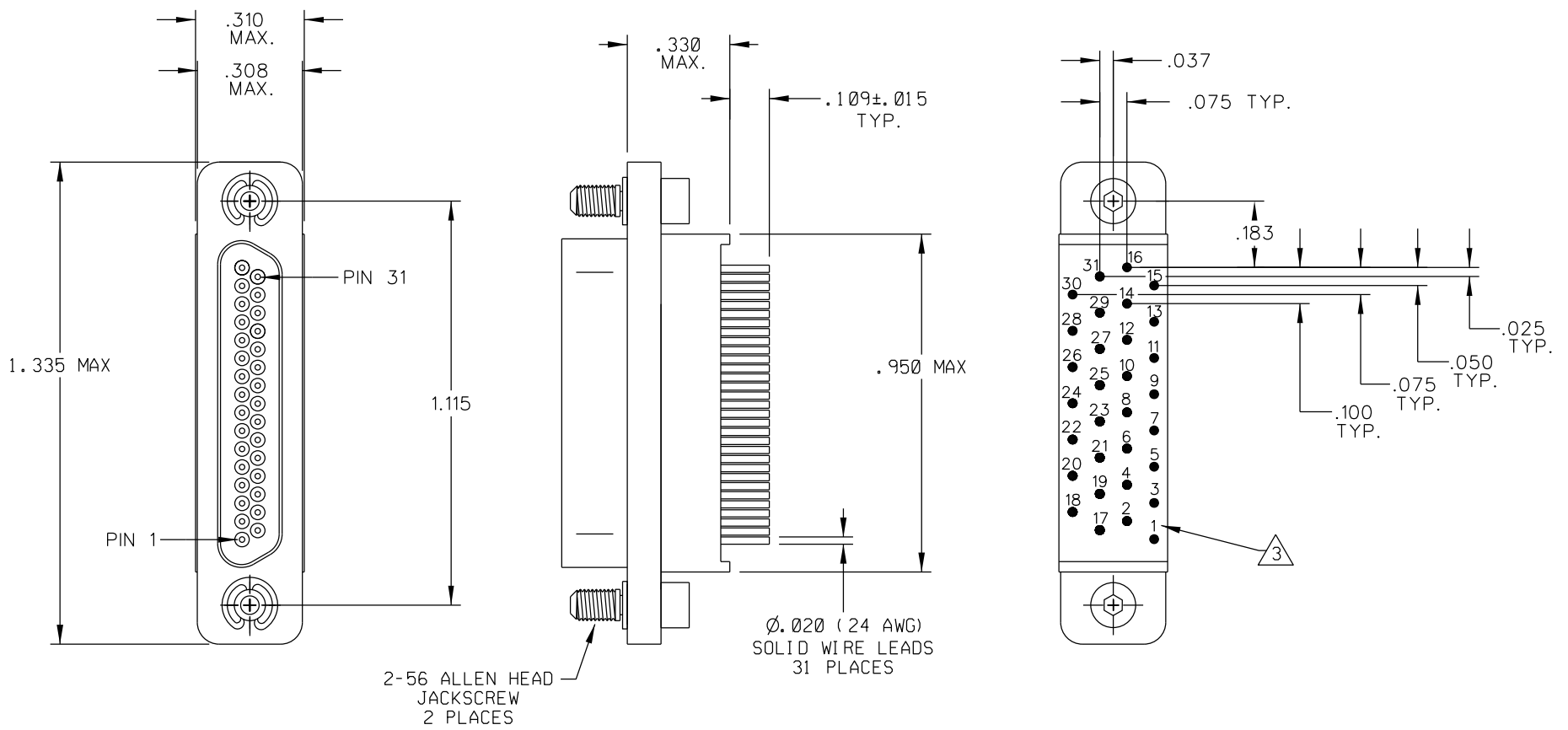


PART REV	DWG ISSUE	DATE	ECN NO.	APPVD BY	REL BY
-	-	11-30-12	UMI 4813	DW	DW
-	A	12-14-12	UMI 4828	DW	DW



4. CONNECTOR DESIGN AND PERFORMANCE SPECIFICATIONS IAW MIL-DTL-83513.
- ③ NUMBERS ON BACKSHELL ARE SHOWN FOR REFERENCE ONLY AND DO NOT APPEAR ON PART
 - ② MATERIALS:
 SHELL: 6061-T6 ALUMINUM PER AMS-QQ-A200/8 NICKEL PLATED PER AMS 2404
 INSULATOR AND BACKSHELL: PPS PER MIL-M-24519 GST-40F, COLOR: BLACK
 PIN CONTACTS: C17200 BERYLLIUM COPPER PER ASTM B194
 GOLD PLATED PER ASTM B488
 24 AWG SOLID WIRE LEADS: TIN PLATED COPPER ALLOY PER A-A-59551 TYPE S
 HARDWARE: PASSIVATED STAINLESS STEEL IAW MIL-DTL-83513/5-02
 - 1. MARKINGS: "UMI", UMI DATE CODE, AND UMI PART NUMBER.
- NOTES: UNLESS OTHERWISE SPECIFIED.

QUALITY SYMBOLS CRITICAL MAJOR NO SYMBOL = MINOR DIMENSION	UNLESS SPECIFIED: ALL DIMENSIONS IN INCHES GENERAL TOLERANCES: 3 PLACE ±.005 2 PLACE ±.01 ANGULAR ±2°	SCALE NONE	DWG SIZE B	THIRD ANGLE PROJECTION	REVISE ON CAD ONLY	
	ALL EXTERNAL SPECIFICATIONS REFERENCED ON THIS DRAWING SHALL BE TO THE LATEST REVISION IN EFFECT Uti-Mate CAGE CODE 58967	DRAWN BY & DATE DW 11-30-12 CHECKED BY & DATE SEE ECN APPROVED BY & DATE SEE ECN	TITLE: CIRCUIT CONNECTOR, CM16R31P02-S01		MATERIAL: ②	Uti-Mate Connector Inc.
		CAD FILENAME SD-836151712.DGN	PART NO. 836151712	DRAWING NO. SD-836151712	SHEET NO. 1 OF 1	PART REV -
	THIS DRAWING CONTAINS INFORMATION THAT IS PROPRIETARY TO ULTI-MATE INCORPORATED AND SHOULD NOT BE USED WITHOUT WRITTEN PERMISSION.					