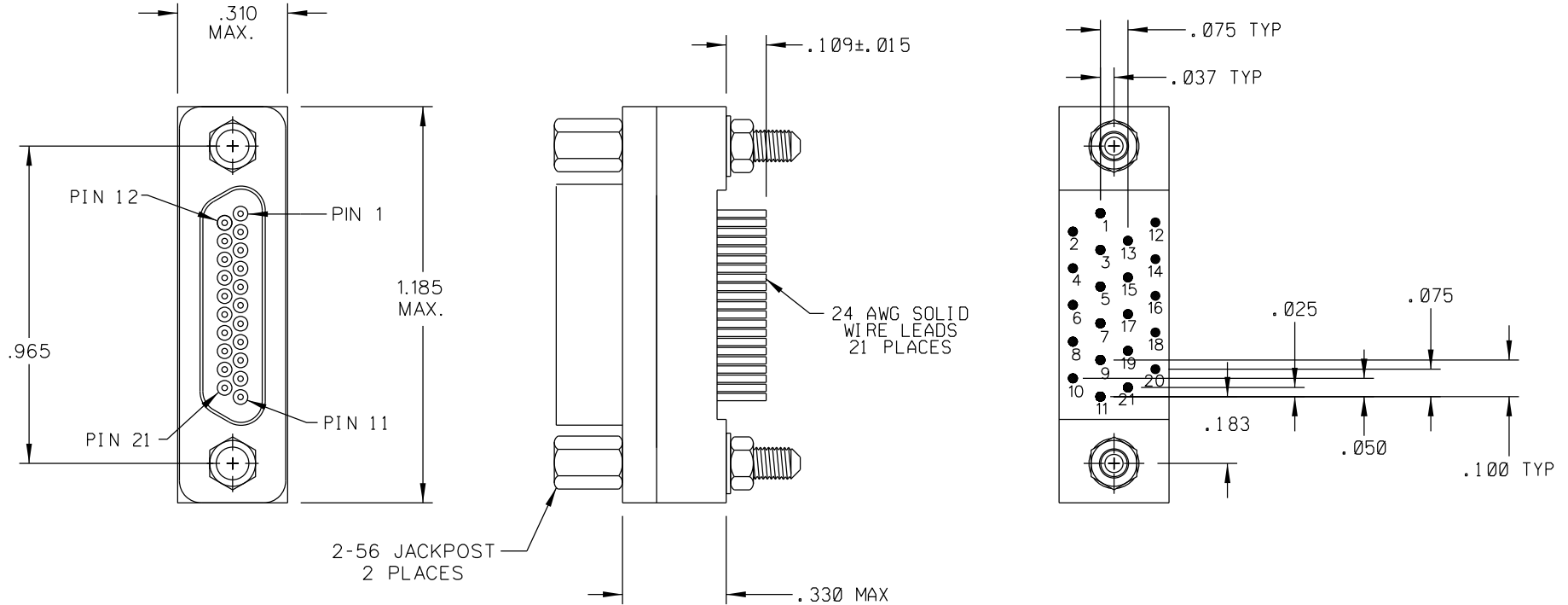


PART REV	DWG ISSUE	DATE	ECN NO.	APPVD BY	REL BY
-	-	9-3-13	UMI 5084	DW	DW



3. NUMBERS SHOWN ON BACKSHELL ARE FOR REFERENCE ONLY AND MAY NOT APPEAR ON PART.

- 2 MATERIALS:
 SHELL: CAD PLATED 6061-T6 ALUMINUM
 INSULATOR AND BACKSHELL: PPS PER MIL-M-24519 GST-40F
 PIN CONTACTS: GOLD PLATED BERYLLIUM COPPER
 24 AWG LEADS: TIN PLATED COPPER ALLOY
 HARDWARE: STAINLESS STEEL, PASSIVATED PER QQ-P-35

1. MARKINGS: "UMI", UMI PART NO., DATE CODE.

NOTES: UNLESS OTHERWISE SPECIFIED.

QUALITY SYMBOLS CRITICAL MAJOR NO SYMBOL MINOR DIMENSION	UNLESS SPECIFIED: ALL DIMENSIONS IN INCHES GENERAL TOLERANCES: 3 PLACE $\pm .005$ 2 PLACE $\pm .01$ ANGULAR $\pm 2^\circ$	SCALE: NONE DWG SIZE: B DRAWN BY & DATE: DW 9-3-13 CHECKED BY & DATE: SEE ECN APPROVED BY & DATE: SEE ECN	THIRD ANGLE PROJECTION REVISE ON CAD ONLY	TITLE: CIRCUIT CONNECTOR, PLUG, SIZE 21, STYLE 6, W/JACKPOSTS, CM6R21P07 MATERIAL: Uti-Mate Connector Inc.
	Uti-Mate CAGE CODE 58967	CAD FILENAME: SD-8361 3061 7.DGN PART NO.: 8361 3061 7 DRAWING NO.: SD-8361 3061 7	SHEET NO.: 1 OF 1 PART REV: -	THIS DRAWING CONTAINS INFORMATION THAT IS PROPRIETARY TO ULTI-MATE INCORPORATED AND SHOULD NOT BE USED WITHOUT WRITTEN PERMISSION.