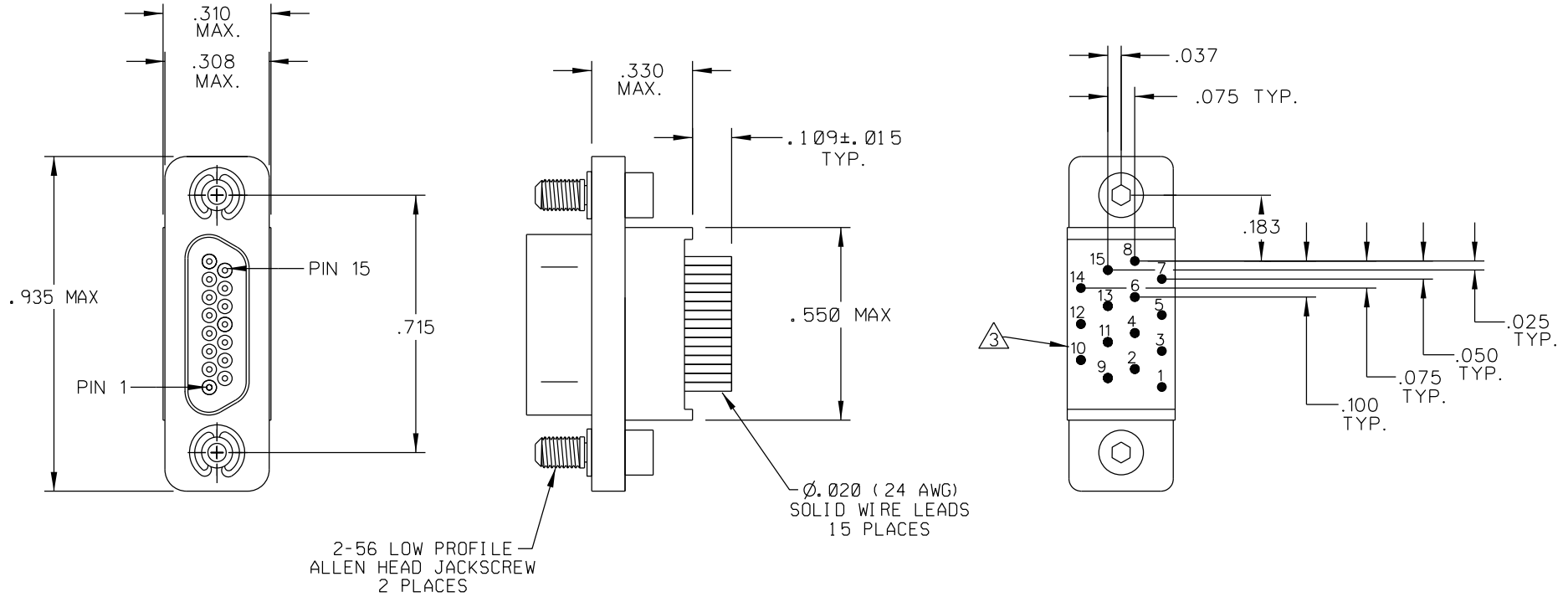


PART REV	DWG ISSUE	DATE	ECN NO.	APPVD BY	REL BY
-	-	11-28-12	UMI 481 3	DW	DW
-	A	12-14-12	UMI 4828	DW	DW



4. CONNECTOR DESIGN AND PERFORMANCE SPECIFICATIONS IAW MIL-DTL-83513.

3 (triangle symbol) NUMBERS SHOWN ON BACKSHELL ARE FOR REFERENCE ONLY AND DO NOT APPEAR ON PART

- 2 (triangle symbol) MATERIALS:
 METAL SHELL: 6061-T6 ALUMINUM PER AMS-QQ-A200/8, NICKEL PLATED PER AMS 2404
 INSULATOR AND BACKSHELL: PPS PER MIL-M-24519 GST-40F, COLOR: BLACK
 PIN CONTACTS: C17200 BERYLLIUM COPPER PER ASTM B194 GOLD PLATED PER ASTM B488
 24 AWG SOLID WIRE LEADS: COPPER ALLOY, TIN PLATED
 HARDWARE: PASSIVATED STAINLESS STEEL IAW MIL-DTL-83513/5
 1. MARKING: "UMI", UMI PART NO., AND DATE CODE.

NOTES: UNLESS OTHERWISE SPECIFIED.

QUALITY SYMBOLS CRITICAL SPECIAL KEY	UNLESS SPECIFIED: ALL DIMENSIONS IN INCHES GENERAL TOLERANCES: 3 PLACE ± .005 2 PLACE ± .01 ANGULAR ± 2°	SCALE NONE	DWG SIZE B	THIRD ANGLE PROJECTION	REVISE ON CAD ONLY
	ALL EXTERNAL SPECIFICATIONS REFERENCED ON THIS DRAWING SHALL BE TO THE LATEST REVISION IN EFFECT Ulti-Mate CAGE CODE 58967	DRAWN BY & DATE DW 11-28-12 CHECKED BY & DATE SEE ECN APPROVED BY & DATE SEE ECN	TITLE: BOARD MOUNT CONNECTOR, MALE, SIZE 15, STYLE 16 (VERTICAL) BACKSHELL, CM16R15P02-S01		MATERIAL:
		CAD FILENAME SD-8361 21 71 2.DGN	PART NO. 8361 21 71 2	DRAWING NO. SD-8361 21 71 2	SHEET NO. 1 OF 1
		THIS DRAWING CONTAINS INFORMATION THAT IS PROPRIETARY TO ULTI-MATE INCORPORATED AND SHOULD NOT BE USED WITHOUT WRITTEN PERMISSION.			PART REV -