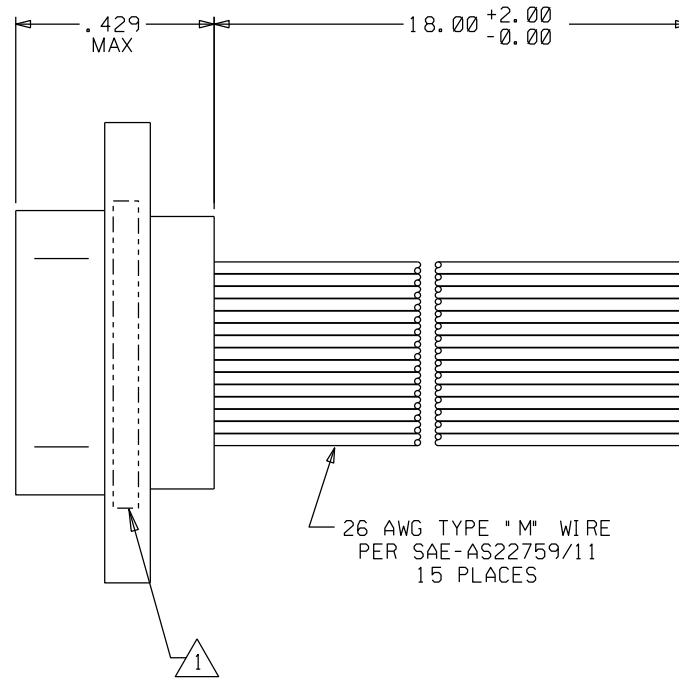
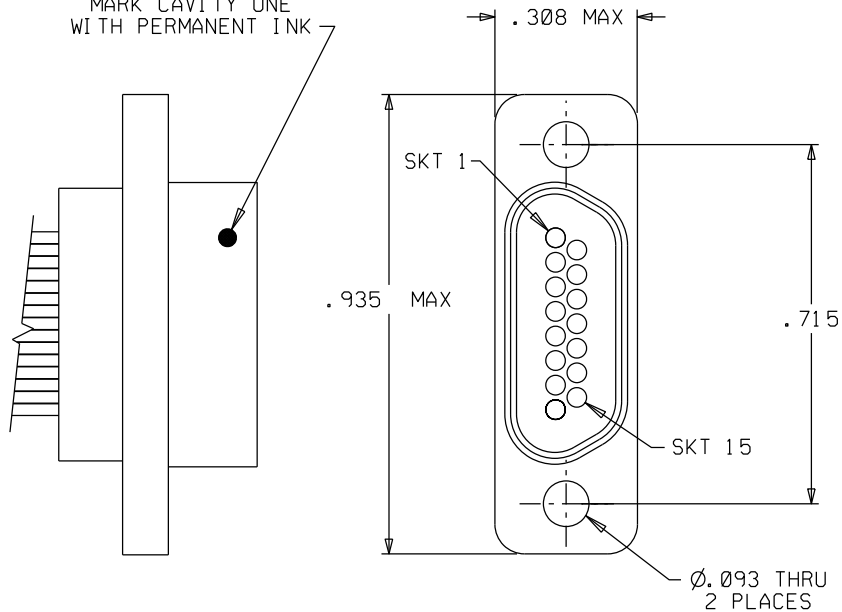


| PART REV | DWG ISSUE | DATE | ECN NO. | APPVD BY | REL BY |
|----------|-----------|--------|----------|----------|--------|
| - | - | 6-9-14 | UMI 5339 | DW | DW |

MARK CAVITY ONE WITH PERMANENT INK



| | |
|----|-----|
| 1 | BLK |
| 2 | BRN |
| 3 | RED |
| 4 | ORG |
| 5 | YEL |
| 6 | GRN |
| 7 | BLU |
| 8 | VIO |
| 9 | GRY |
| 10 | WHT |
| 11 | BLK |
| 12 | BRN |
| 13 | RED |
| 14 | ORG |
| 15 | YEL |

3. PERFORMANCE SPECIFICATIONS:

CURRENT RATING: 3 AMPS MAX
 INSULATION RESISTANCE: 5000 MEGOHMS MIN.
 DWV: 600 VAC;
 TEMPERATURE RATING: 125° C



MATERIALS:

SHELL: 6061-T6 ALUMINUM PER SAE AMS-QQ-A200/8,
 CADMIUM PLATED PER AMS-QQ-P-416
 INSULATOR: PPS PER MIL-M-24519 GST-40F, COLOR: BLACK
 SOCKET CONTACT: C21000 COPPER ALLOY PER ASTM B36,
 GOLD PLATED PER ASTM B488
 INTERFACIAL SEAL: FLUOROSILICONE PER MIL-R-25988



MARKINGS: "UMI", UMI DATE CODE, AND UMI PART NUMBER "M83513/04-B03C".

NOTES: UNLESS OTHERWISE SPECIFIED.

| | | | | | |
|---|--|---|--|-----------------------------|----------------------------|
| QUALITY SYMBOLS CRITICAL SPECIAL KEY | UNLESS SPECIFIED: ALL DIMENSIONS IN INCHES GENERAL TOLERANCES: 3 PLACE ±.005 2 PLACE ±.01 ANGULAR ±2° | SCALE 4:1 | DWG SIZE B | THIRD ANGLE PROJECTION | REVISE ON CAD ONLY |
| | ALL EXTERNAL SPECIFICATIONS REFERENCED ON THIS DRAWING SHALL BE TO THE LATEST REVISION IN EFFECT UMI-Mate CAGE CODE 58967 | DRAWN BY & DATE DW 6-9-14 CHECKED BY & DATE SEE ECN APPROVED BY & DATE SEE ECN | TITLE: MICRO-D RECEPTACLE MIL-SPEC, 15 POSITION, 26 AWG 18° LEADS, M83513/04-B03C | MATERIAL: | UMI-Mate Connector Inc. |
| | | CAD FILENAME SD-835220030.DGN | PART NO. 835220030 | DRAWING NO. SD-835220030 | PART REV - |

THIS DRAWING CONTAINS INFORMATION THAT IS PROPRIETARY TO ULTI-MATE INCORPORATED AND SHOULD NOT BE USED WITHOUT WRITTEN PERMISSION.