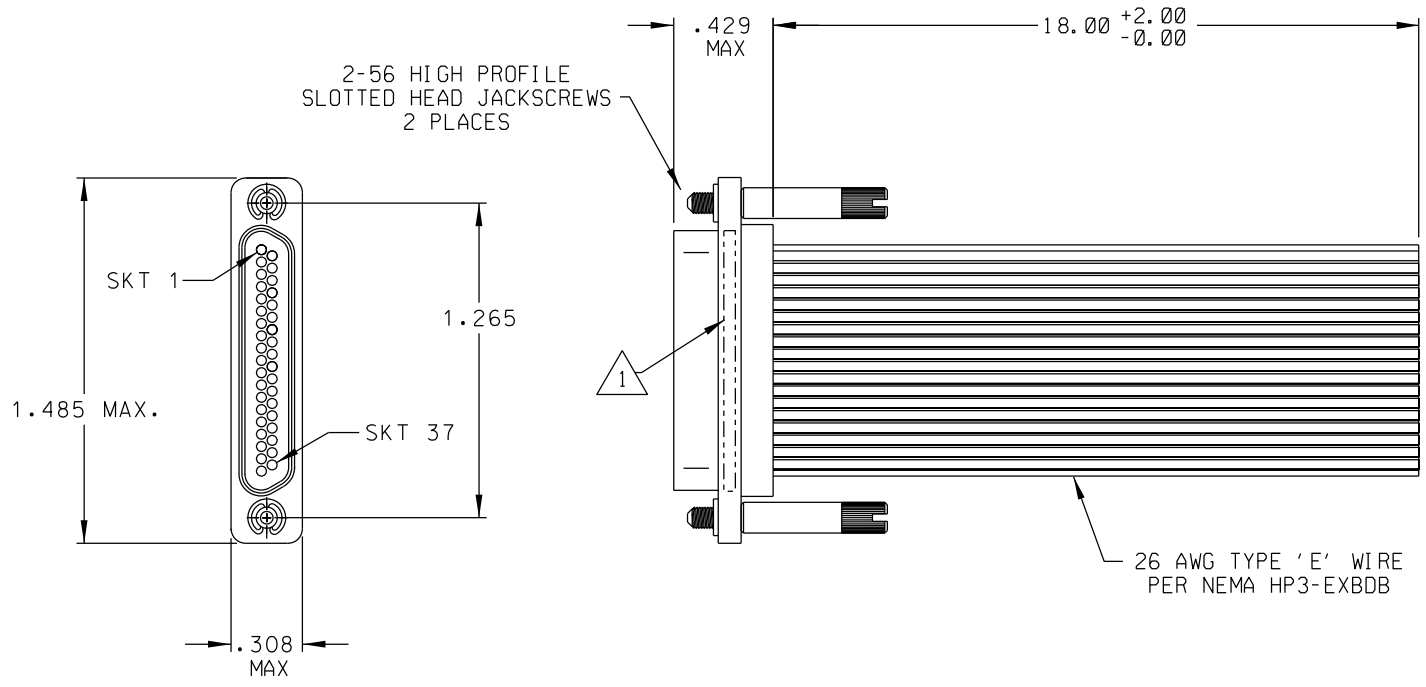


PART REV	DWG ISSUE	DATE	ECN NO.	APPVD BY	REL BY
-	-	6-23-16	UMI 6012	DW	DW

1	BLK
2	BRN
3	RED
4	ORG
5	YEL
6	GRN
7	BLU
8	VIO
9	GRY
10	WHT
11	W/BLK
12	W/BRN
13	W/RED
14	W/ORG
15	W/YEL
16	W/GRN
17	W/BLU
18	W/VIO
19	W/GRY
20	W/BLK/BRN
21	W/BLK/RED
22	W/BLK/ORG
23	W/BLK/YEL
24	W/BLK/GRN
25	W/BLK/BLU
26	W/BLK/VIO
27	W/BLK/GRY
28	W/BRN/RED
29	W/BRN/ORG
30	W/BRN/YEL
31	W/BRN/GRN
32	W/BRN/BLU
33	W/BRN/VIO
34	W/BRN/GRY
35	W/RED/ORG
36	W/RED/YEL
37	W/RED/GRN



- 2. MATERIALS:
 BODY/INSULATOR: PPS PER MIL-M-24519 GST-40F
 CONTACTS: C17200 BERYLLIUM COPPER PER ASTM B149,
 GOLD PLATED PER ASTM B488
- 1. HARDWARE: PASSIVATE STAINLESS STEEL IAW MIL-DTL-83513/5
 MARKING: UMI, DATE CODE, UMI PART NO., AND WORK ORDER NUMBER

NOTES: UNLESS OTHERWISE SPECIFIED.

QUALITY SYMBOLS CRITICAL SPECIAL KEY	UNLESS SPECIFIED: ALL DIMENSIONS IN INCHES GENERAL TOLERANCES: 3 PLACE ±.005 2 PLACE ±.01 ANGULAR ±2°	SCALE: NONE DWG SIZE: B THIRD ANGLE PROJECTION	REVISE ON CAD ONLY		
	ALL EXTERNAL SPECIFICATIONS REFERENCED ON THIS DRAWING SHALL BE TO THE LATEST REVISION IN EFFECT Ulti-Mate CAGE CODE 58967	DRAWN BY & DATE: DW 6-23-16 CHECKED BY & DATE: SEE ECN APPROVED BY & DATE: SEE ECN	TITLE: PLASTIC MICRO-D RECEPTACLE, SIZE 37, 26 AWG TYPE 'E' WIRE BR37S06-26E5-18.0		SHEET NO. 1 OF 1
		CAD FILENAME: SD-834868076.DGN	MATERIAL:	PART NO. 834868076	DRAWING NO. SD-834868076
		THIS DRAWING CONTAINS INFORMATION THAT IS PROPRIETARY TO ULTI-MATE INCORPORATED AND SHOULD NOT BE USED WITHOUT WRITTEN PERMISSION.			PART REV -

