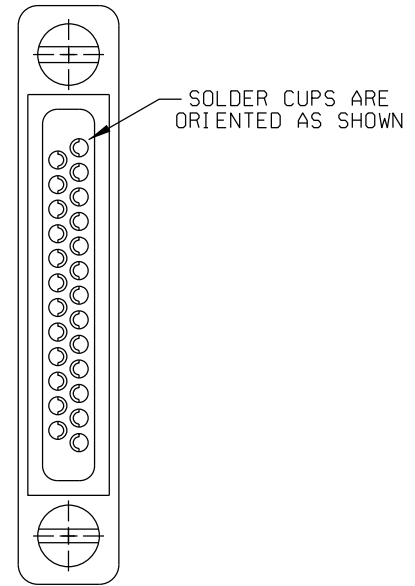
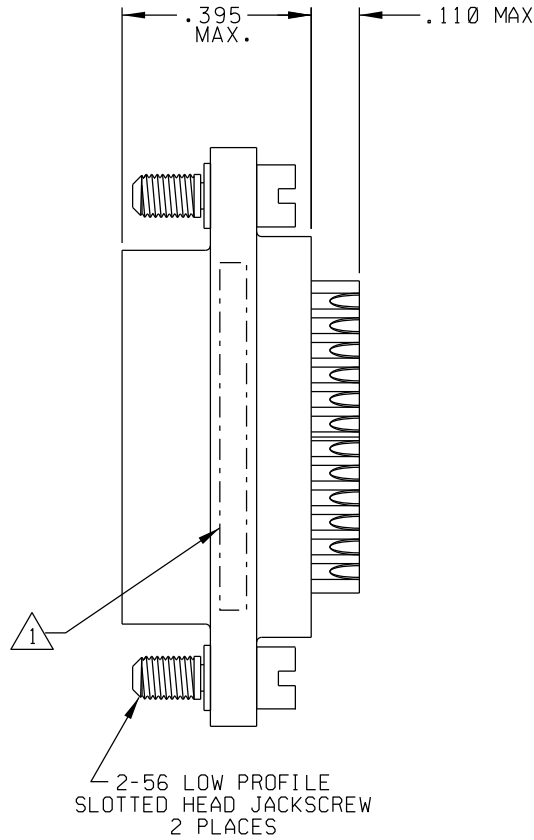
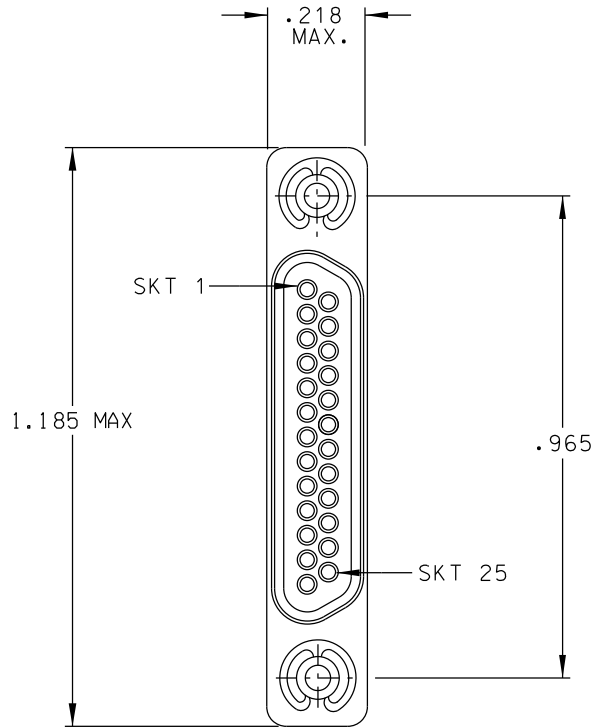


PART REV	DWG ISSUE	DATE	ECN NO.	APPVD BY	REL BY
-	-	5-14-07	UMI 3466	DW	DW
-	A	8-20-14	UMI 5397	DW	DW



- 2 MATERIALS:
 SHELL/INSULATOR: PPS PER MIL-M-24519 GST-40F
 CONTACT: C21000 COPPER ALLOY PER ASTM B36, GOLD PLATED PER ASTM B488
 HARDWARE: PASSIVATED STAINLESS STEEL IAW MIL-DTL-83513/05-02
- 1 MARKING: UMI, DATE CODE, UMI P/N.

NOTES: UNLESS OTHERWISE SPECIFIED.

QUALITY SYMBOLS	UNLESS SPECIFIED: ALL DIMENSIONS IN INCHES	SCALE 4:1	DWG SIZE B	THIRD ANGLE PROJECTION	REVISE ON CAD ONLY
	CRITICAL GENERAL TOLERANCES: 3 PLACE ±.005 2 PLACE ±.01 ANGULAR ±2°	DRAWN BY & DATE DW 6-12-07	CHECKED BY & DATE SEE ECN	TITLE: MICRO-D RECEPTACLE, SIZE 25, LOW PROFILE PLASTIC, PR25T05	
SPECIAL	ALL EXTERNAL SPECIFICATIONS REFERENCED ON THIS DRAWING SHALL BE TO THE LATEST REVISION IN EFFECT	APPROVED BY & DATE SEE ECN	MATERIAL: 2		Uti-Mate Connector Inc.
KEY	Uti-Mate CAGE CODE 58967	CAD FILENAME SD-834648005.DGN	PART NO. 834648005	DRAWING NO. SD-834648005	SHEET NO. 1 OF 1
		THIS DRAWING CONTAINS INFORMATION THAT IS PROPRIETARY TO ULTI-MATE INCORPORATED AND SHOULD NOT BE USED WITHOUT WRITTEN PERMISSION.			PART REV -