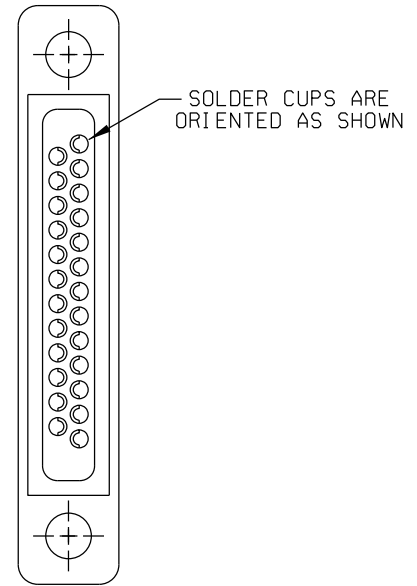
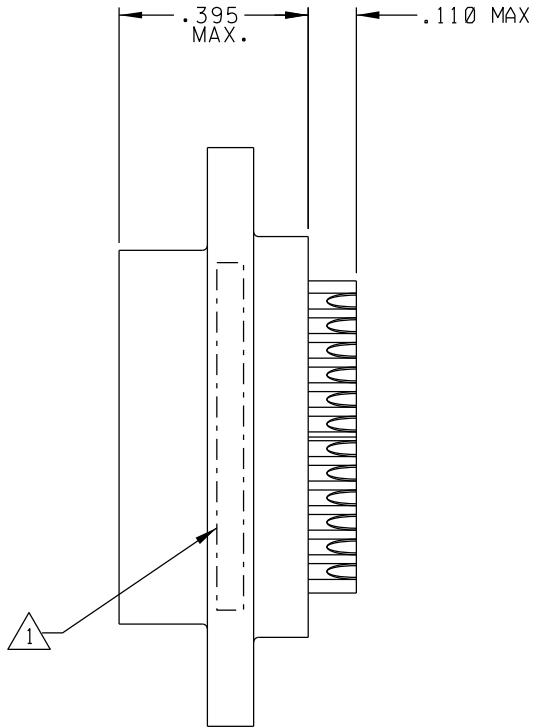
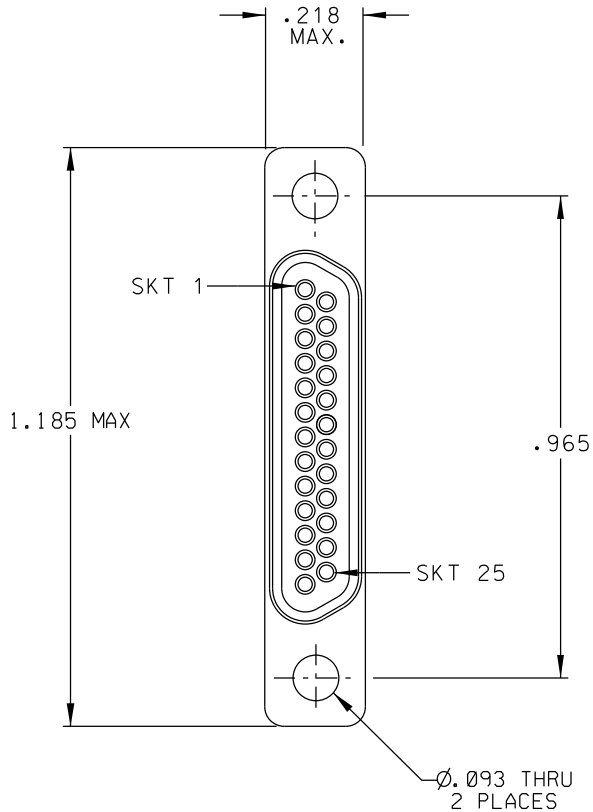


PART REV	DWG ISSUE	DATE	ECN NO.	APPVD BY	REL BY
-	-	8-20-14	UMI 5397	DW	DW



2 MATERIALS:  
 SHELL/INSULATOR: PPS PER MIL-M-24519 GST-40F  
 CONTACT: C21000 COPPER ALLOY PER ASTM B36, GOLD PLATED PER ASTM B488.

1 MARKING: UMI, DATE CODE, UMI P/N.

NOTES: UNLESS OTHERWISE SPECIFIED.

QUALITY SYMBOLS CRITICAL SPECIAL KEY	UNLESS SPECIFIED: ALL DIMENSIONS IN INCHES GENERAL TOLERANCES: 3 PLACE ±.005 2 PLACE ±.01 ANGULAR ±2°	SCALE NONE DWG SIZE B	DWG ISSUE B	THIRD ANGLE PROJECTION	REVISE ON CAD ONLY
	ALL EXTERNAL SPECIFICATIONS REFERENCED ON THIS DRAWING SHALL BE TO THE LATEST REVISION IN EFFECT	DRAWN BY & DATE DW 11-30-10	TITLE: MICRO-D RECEPTACLE, SIZE 25, LOW PROFILE PLASTIC, PR25T0		
	Uti-Mate CAGE CODE 58967	CHECKED BY & DATE SEE ECN	MATERIAL:  2	Uti-Mate Connector Inc.	
		APPROVED BY & DATE SEE ECN	CAD FILENAME SD-834648000.DGN	PART NO. 834648000	DRAWING NO. SD-834648000

THIS DRAWING CONTAINS INFORMATION THAT IS PROPRIETARY TO ULTI-MATE INCORPORATED AND SHOULD NOT BE USED WITHOUT WRITTEN PERMISSION.