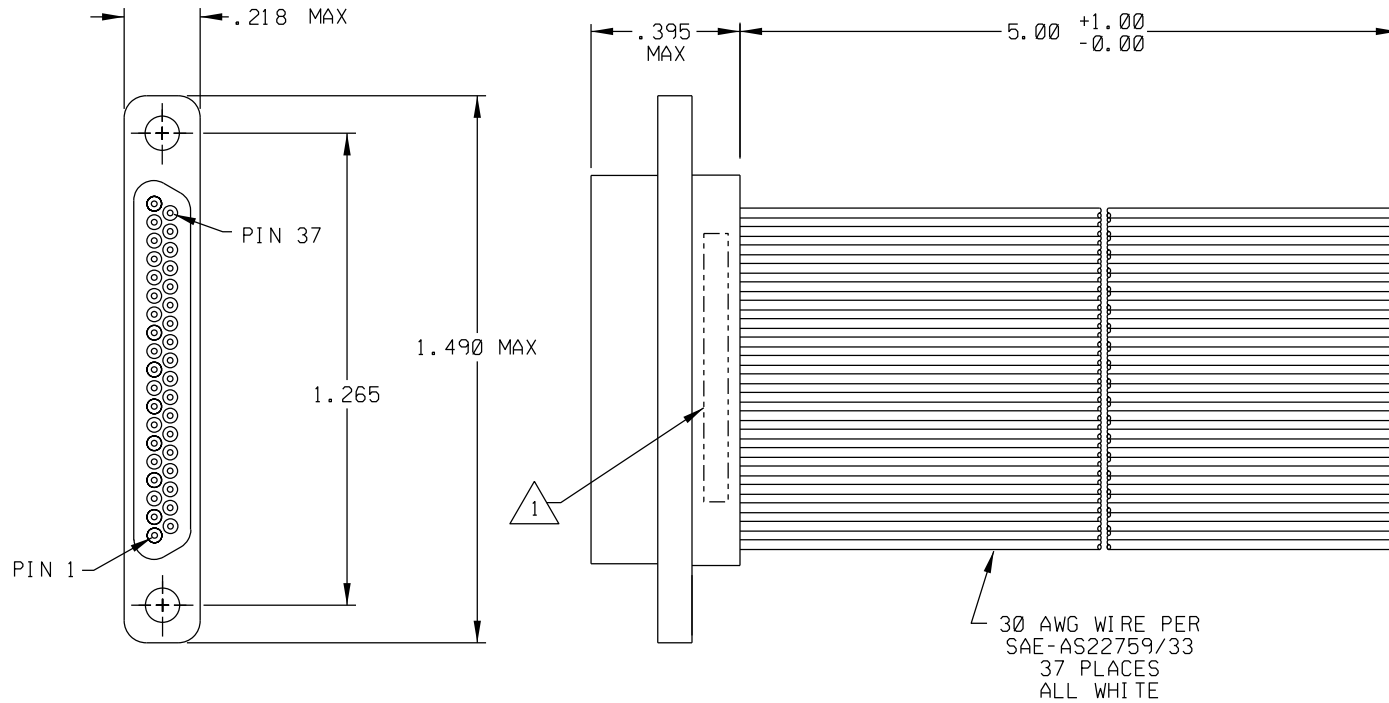


PART REV	DWG ISSUE	DATE	ECN NO.	APPVD BY	REL BY
-	-	3-13-15	UMI 5777	DW	DW



3. PERFORMANCE SPECIFICATIONS:
 CURRENT RATING: 1 AMP MAX
 INSULATION RESISTANCE: 5000 MEGOHMS MIN.
 DWV: 250 VAC;
 TEMPERATURE RATING: 125° C

2 MATERIALS:
 SHELL AND INSULATOR: PPS PER MIL-M-24519 GST-40F, COLOR: BLACK
 PIN CONTACTS: C17200 BERYLLIUM COPPER PER ASTM B194, GOLD PLATED PER ASTM B488
 HARDWARE: PASSIVATED STAINLESS STEEL IAW MIL-DTL-83513/5

1 MARKING: UMI, DATE CODE, UMI P/N.
 NOTES: UNLESS OTHERWISE SPECIFIED.

QUALITY SYMBOLS CRITICAL SPECIAL KEY	UNLESS SPECIFIED: ALL DIMENSIONS IN INCHES GENERAL TOLERANCES: 3 PLACE ±.005 2 PLACE ±.01 ANGULAR ±2°	SCALE NONE DWG SIZE B DRAWN BY & DATE DW 10-27-15 CHECKED BY & DATE SEE ECN APPROVED BY & DATE SEE ECN	THIRD ANGLE PROJECTION REVISE ON CAD ONLY TITLE: MICRO-D PLUG, SIZE 37, LOW PROFILE PLASTIC, WIRED, PR37P0-30Y1-5.0 MATERIAL:	Uti-Mate Connector Inc.	
	ALL EXTERNAL SPECIFICATIONS REFERENCED ON THIS DRAWING SHALL BE TO THE LATEST REVISION IN EFFECT Uti-Mate CAGE CODE 58967	CAD FILENAME SD-834568210.DGN PART NO. 834568210 DRAWING NO. SD-834568210	SHEET NO. 1 OF 1 PART REV -	THIS DRAWING CONTAINS INFORMATION THAT IS PROPRIETARY TO ULTI-MATE INCORPORATED AND SHOULD NOT BE USED WITHOUT WRITTEN PERMISSION.	