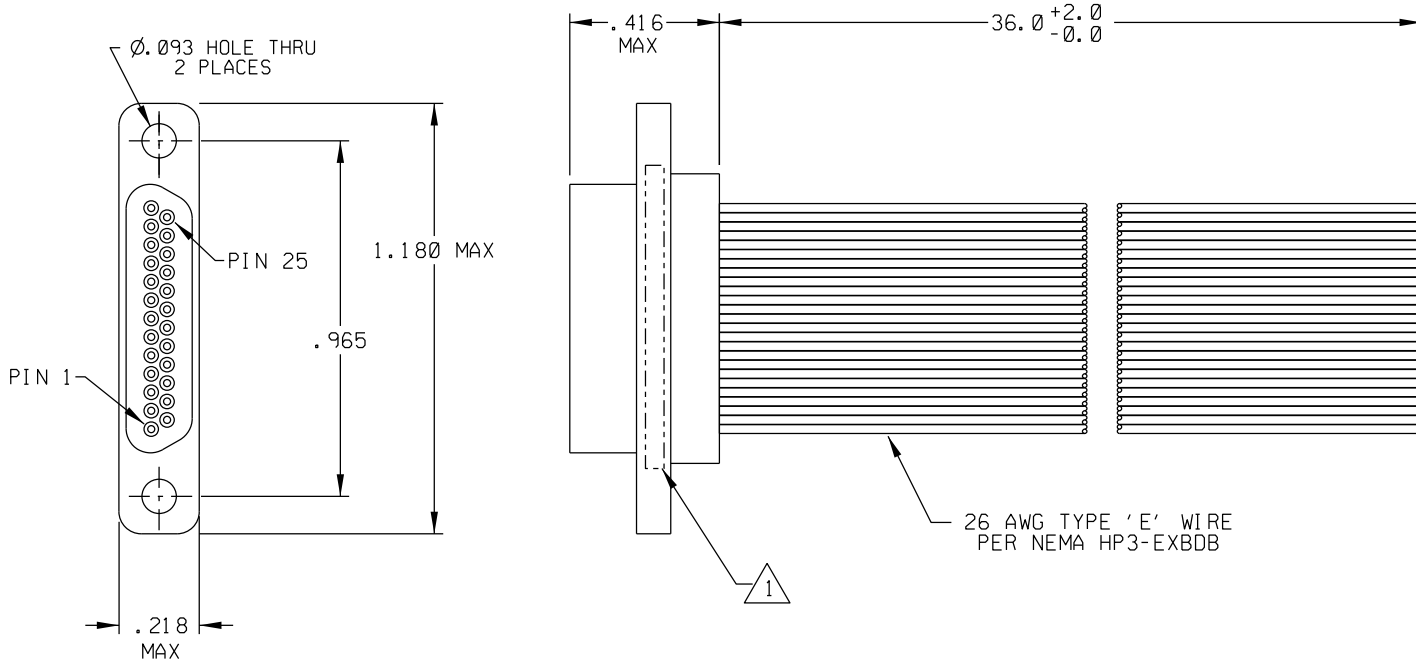


| PART REV | DWG ISSUE | DATE | ECN NO. | APPVD BY | REL BY |
|----------|-----------|----------|----------|----------|--------|
| - | - | 12-14-15 | UMI 5829 | DW | DW |



| | |
|----|-----------|
| 1 | BLK |
| 2 | BRN |
| 3 | RED |
| 4 | ORG |
| 5 | YEL |
| 6 | GRN |
| 7 | BLU |
| 8 | VIO |
| 9 | GRY |
| 10 | WHT |
| 11 | W/BLK |
| 12 | W/BRN |
| 13 | W/RED |
| 14 | W/ORG |
| 15 | W/YEL |
| 16 | W/GRN |
| 17 | W/BLU |
| 18 | W/VIO |
| 19 | W/GRY |
| 20 | W/BLK/BRN |
| 21 | W/BLK/RED |
| 22 | W/BLK/ORG |
| 23 | W/BLK/YEL |
| 24 | W/BLK/GRN |
| 25 | W/BLK/BLU |

3. PERFORMANCE SPECIFICATIONS:
 CURRENT RATING: 3 AMPS MAX
 INSULATION RESISTANCE: 5000 MEGOHMS MIN.
 DWV: 600 VAC;
 TEMPERATURE RATING: 125° C

2 MATERIALS:
 BODY/INSULATOR: PPS PER MIL-M-24519 GST-40F, COLOR: BLACK
 PIN CONTACTS: C17200 BERYLLIUM COPPER PER ASTM B194,
 GOLD PLATED PER ASTM B488

1 MARKINGS: UMI, UMI PART NO., AND DATE CODE

NOTES: UNLESS OTHERWISE SPECIFIED

| | | | | | |
|---|---|---|--|-----------------------------|---|
| QUALITY SYMBOLS CRITICAL MAJOR NO SYMBOL = MINOR DIMENSION | UNLESS SPECIFIED: ALL DIMENSIONS IN INCHES GENERAL TOLERANCES: 3 PLACE ±.005 2 PLACE ±.01 ANGULAR ±2° | SCALE 3:1 | DWG SIZE B | THIRD ANGLE PROJECTION | REVISE ON CAD ONLY |
| | ALL EXTERNAL SPECIFICATIONS REFERENCED ON THIS DRAWING SHALL BE TO THE LATEST REVISION IN EFFECT Ulti-Mate CAGE CODE 58967 | DRAWN BY & DATE DW 12-14-15 CHECKED BY & DATE SEE ECN APPROVED BY & DATE SEE ECN | TITLE: MICRO-D PLUG, SIZE 25, LOW PROFILE PLASTIC SHELL, PR25P0-26E5-36.0 | | MATERIAL: 2 Ulti-Mate Connector Inc. |
| | | CAD FILENAME SD-834548530.DGN | PART NO. 834548530 | DRAWING NO. SD-834548530 | SHEET NO. 1 OF 1 PART REV - |

THIS DRAWING CONTAINS INFORMATION THAT IS PROPRIETARY TO ULTI-MATE INCORPORATED AND SHOULD NOT BE USED WITHOUT WRITTEN PERMISSION.