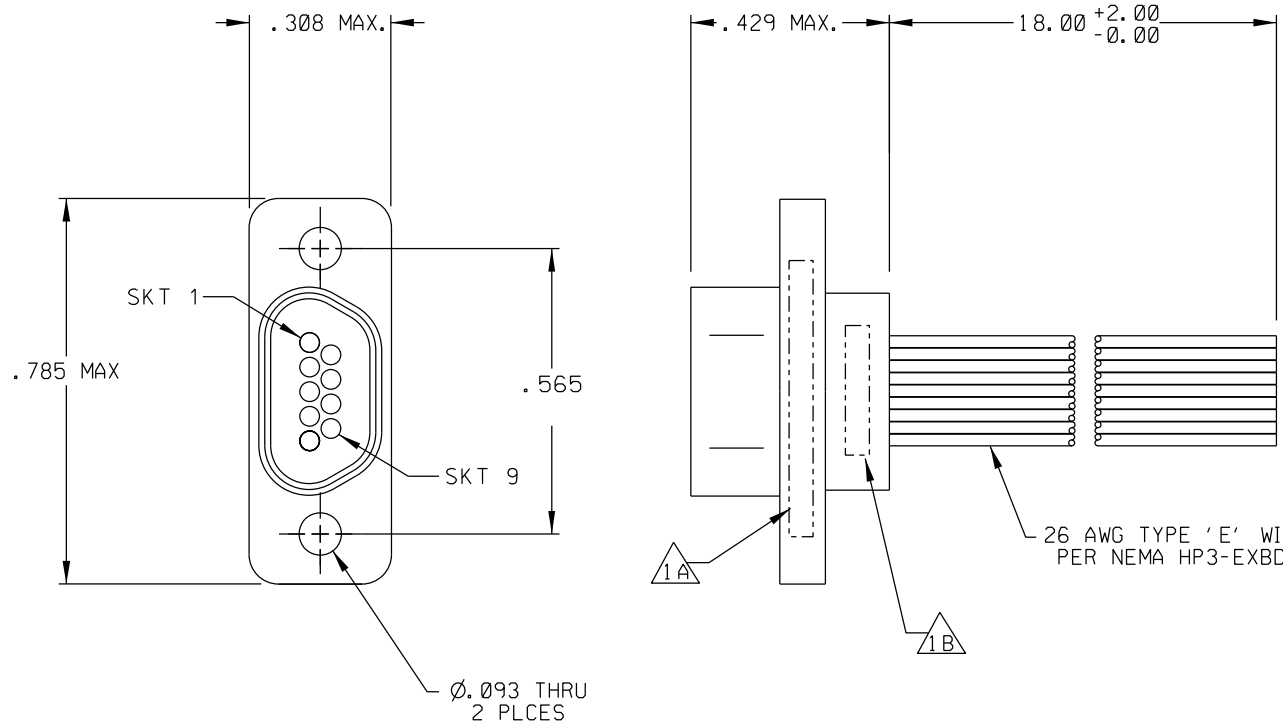


PART REV	DWG ISSUE	DATE	ECN NO.	APPVD BY	REL BY
-	-	1-5-12	UMI 4539	DW	DW



1	BLK
2	BRN
3	RED
4	ORG
5	YEL
6	GRN
7	BLU
8	VIO
9	GRY

2 MATERIALS:  
 SHELL: 6061-T6 ALUMINUM PER QQ-A200/8 NICKEL PLATED PER AMS 2404  
 INSULATOR: PPS PER MIL-M-24519 GST-40F, COLOR: BLACK  
 SOCKET CONTACT: C21000 BRASS ALLOY, 1/2 HARD, PER ASTM B36  
 GOLD PLATED PER ASTM B488  
 INTERFACIAL SEAL: FLUOROSILICONE PER MIL-R-25988

1. MARKING:  
 1A UMI, DATE CODE, AND UMI P/N  
 1B WORK ORDER NUMBER.

NOTES: UNLESS OTHERWISE SPECIFIED.

QUALITY SYMBOLS CRITICAL SPECIAL KEY	UNLESS SPECIFIED: ALL DIMENSIONS IN INCHES UNLESS OTHERWISE SPECIFIED GENERAL TOLERANCES: 3 PLACE ±.005 2 PLACE ±.01 ANGULAR ±2°	SCALE: NONE DWG SIZE: B	THIRD ANGLE PROJECTION	REVISE ON CAD ONLY		
	ALL EXTERNAL SPECIFICATIONS REFERENCED ON THIS DRAWING SHALL BE TO THE LATEST REVISION IN EFFECT Ulti-Mate CAGE CODE <b>58967</b>	DRAWN BY & DATE DW 1-5-12 CHECKED BY & DATE SEE ECN APPROVED BY & DATE SEE ECN	TITLE: MICRO-D RECEPTACLE, SIZE 9, 26 AWG TYPE 'E' WIRE, 18" MR09S0-26E5-18.0-S01		MATERIAL: 2	
		CAD FILENAME SD-834211070.DGN	PART NO. 834211070	DRAWING NO. SD-834211070	SHEET NO. 1 OF 1	
		THIS DRAWING CONTAINS INFORMATION THAT IS PROPRIETARY TO ULTI-MATE INCORPORATED AND SHOULD NOT BE USED WITHOUT WRITTEN PERMISSION.			PART REV -	

