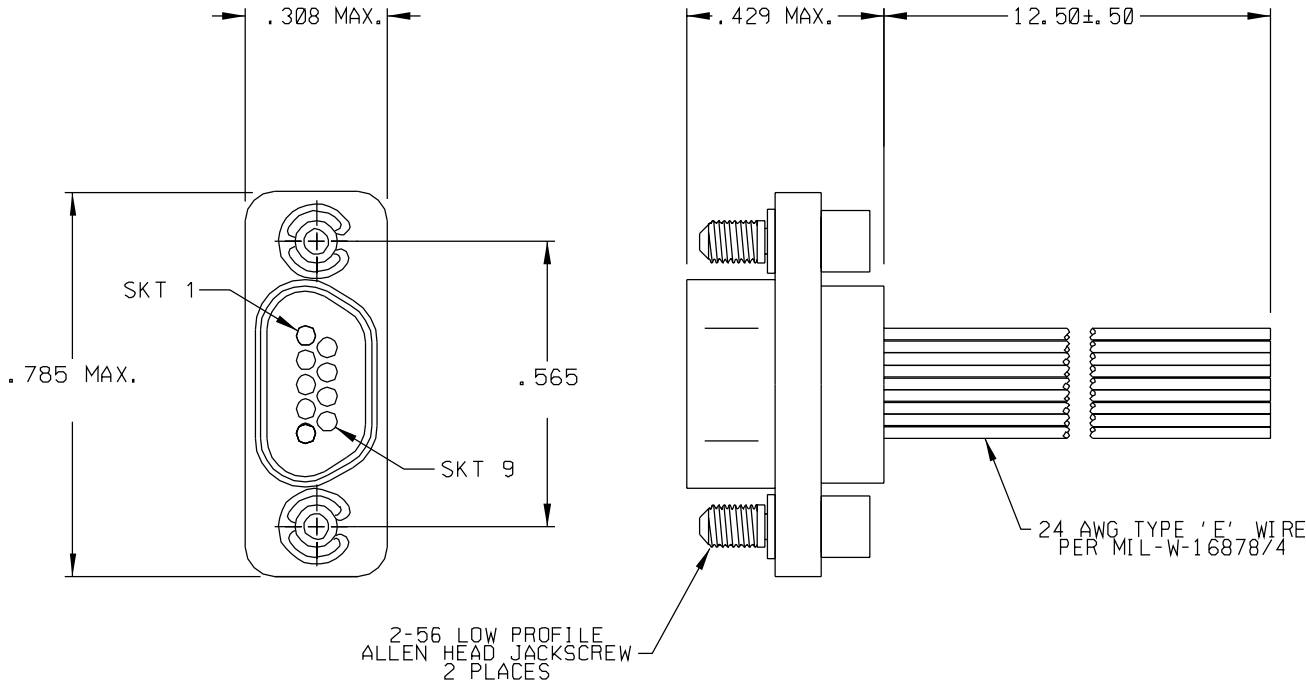


PART REV	DWG ISSUE	DATE	ECN NO.	APPVD BY	REL BY
-	-	6-22-09	UMI 3896		



1	WHT
2	WHT
3	WHT
4	WHT
5	WHT
6	WHT
7	WHT
8	WHT
9	WHT

2 MATERIALS:
 SHELL: 6061-T6 ALUMINUM PER QQ-A200/8 CADMIUM PLATED PER AMS-QQ-P-416
 INSULATOR: PPS PER MIL-M-24519 GST-40F
 SOCKET CONTACT: COPPER ALLOY CDA 210, 1/2 HARD, GOLD PLATED PER MIL-G-45204
 HARDWARE: STAINLESS STEEL, PASSIVATED PER AMS-2700
 INTERFACIAL SEAL: FLOUROSILICONE
 1. MARKING: UMI, DATE CODE, UMI P/N.
 NOTES: UNLESS OTHERWISE SPECIFIED.

QUALITY SYMBOLS MAJOR CRITICAL SPC	UNLESS SPECIFIED: ALL DIMENSIONS IN INCHES	SCALE NONE	DWG SIZE B	THIRD ANGLE PROJECTION	REVISE ON CAD ONLY
	GENERAL TOLERANCES: 3 PLACE ± .005 2 PLACE ± .01 ANGULAR ± 2°	DRAWN BY & DATE DW 6-22-09		TITLE: MICRO-D RECEPTACLE, SIZE 9 24 AWG TYPE 'E' WHITE WIRE, 12" MR09S02-24E1-12.0	
	Ulti-Mate CAGE CODE 58967	CHECKED BY & DATE		MATERIAL: 2	
		APPROVED BY & DATE	CAD FILENAME SD-834210362.DGN	PART NO. 834210362	DRAWING NO. SD-834210362
		THIS DRAWING CONTAINS INFORMATION THAT IS PROPRIETARY TO ULTI-MATE INCORPORATED AND SHOULD NOT BE USED WITHOUT WRITTEN PERMISSION.			

Ulti-Mate
 Connector Inc.