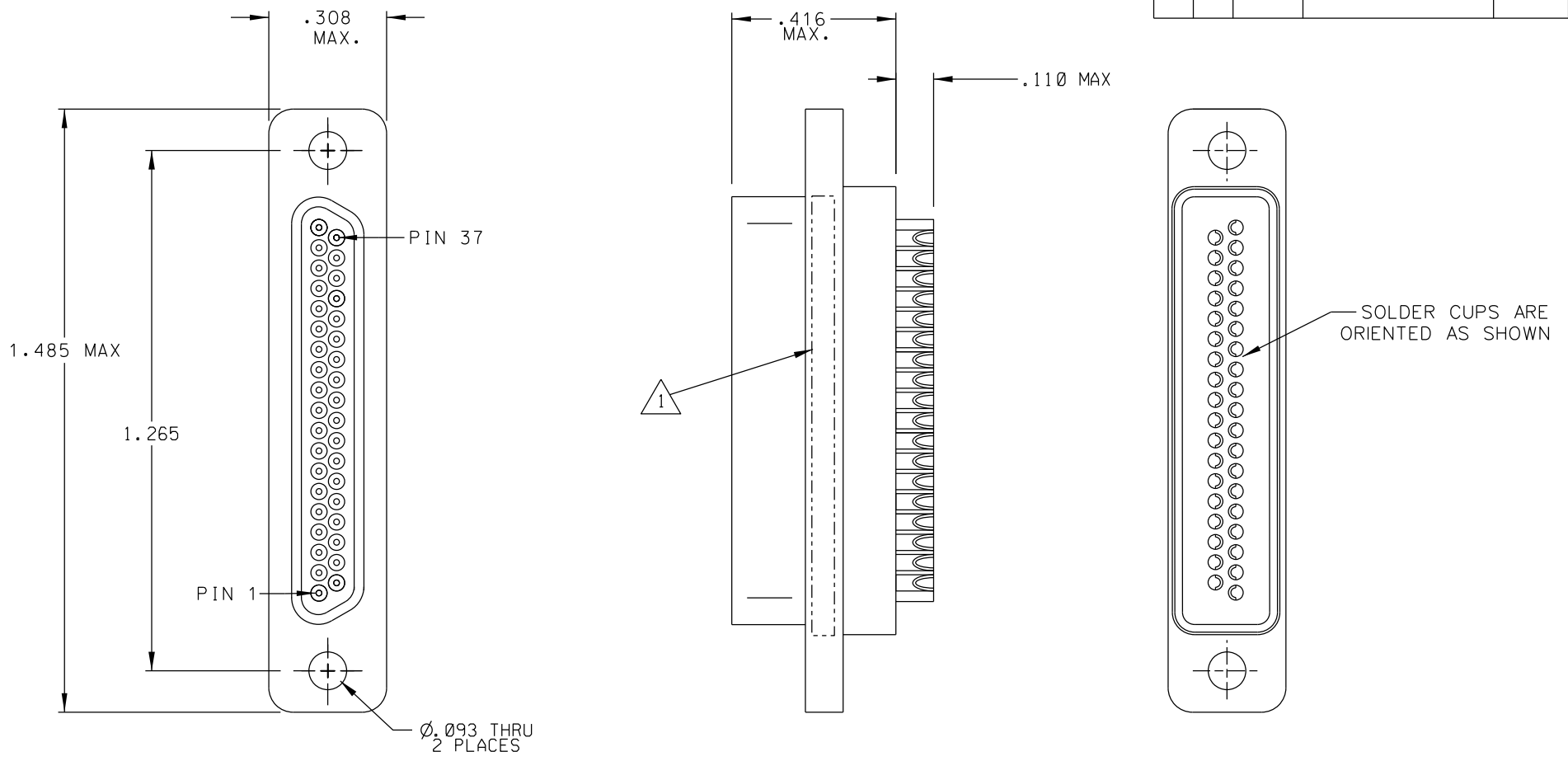


SD-834160000

PART REV	DWG ISSUE	DATE	ECN NO.	APPVD BY	REL BY
-	-	5-23-16	UMI 5979	DW	DW



2 MATERIALS:
 SHELL: 6061-T6 ALUMINUM PER AMS-QQ-A200/8, CADMIUM PLATED PER AMS-QQ-P-416
 INSULATOR: PPS PER MIL-M-24519 GST-40F
 PIN CONTACTS: C17200 BERYLLIUM COPPER PER ASTM-B194,
 GOLD PLATED PER ASTM B488

1 MARKING: UMI, DATE CODE, UMI P/N, AND WORK ORDER.

NOTES: UNLESS OTHERWISE SPECIFIED.

QUALITY SYMBOLS CRITICAL SPECIAL KEY S K	UNLESS SPECIFIED: ALL DIMENSIONS IN INCHES GENERAL TOLERANCES: 3 PLACE ±.005 2 PLACE ±.01 ANGULAR ±2°	SCALE NONE DWG SIZE B	THIRD ANGLE PROJECTION	REVISE ON CAD ONLY	
	ALL EXTERNAL SPECIFICATIONS REFERENCED ON THIS DRAWING SHALL BE TO THE LATEST REVISION IN EFFECT Uti-Mate CAGE CODE 58967	DRAWN BY & DATE DW 5-23-16 CHECKED BY & DATE SEE ECN APPROVED BY & DATE SEE ECN	CAD FILENAME SD-834160000.DGN	TITLE: MICRO-D CONNECTOR, 37 POSITION, SOLDER CUP CONTACTS, SLOTTED JACKSCREWS, MR37N0	MATERIAL: Uti-Mate Connector Inc.
	Uti-Mate CAGE CODE 58967	PART NO. 834160000	DRAWING NO. SD-834160000	SHEET NO. 1 of 1	PART REV -
	THIS DRAWING CONTAINS INFORMATION THAT IS PROPRIETARY TO ULTI-MATE INCORPORATED AND SHOULD NOT BE USED WITHOUT WRITTEN PERMISSION.				