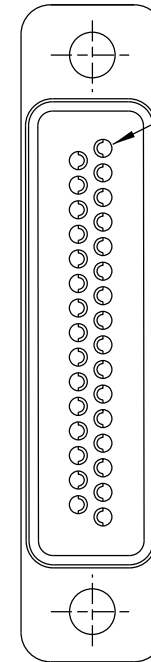
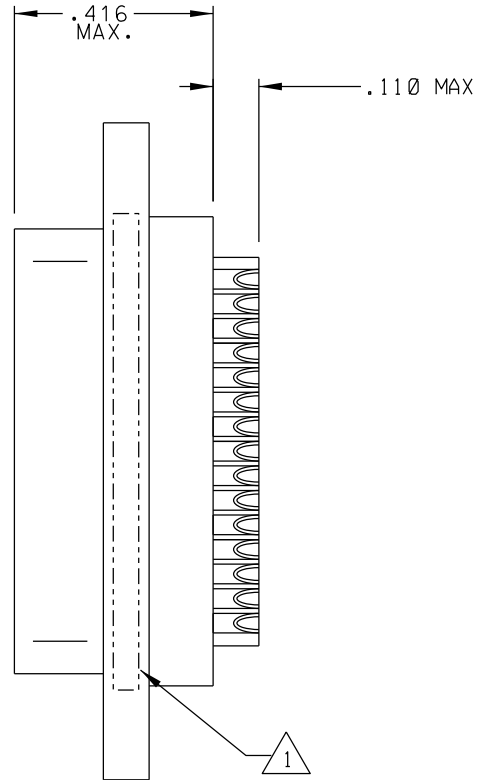
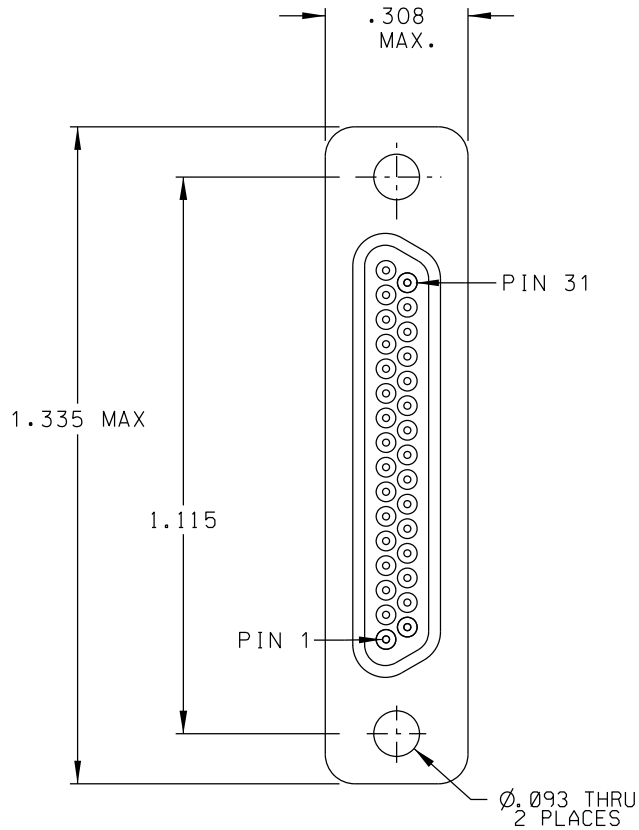


PART REV	DWG ISSUE	DATE	ECN NO.	APPVD BY	REL BY
-	-	4-21-14	UMI 5290	DW	DW



SOLDER CUPS ARE ORIENTED AS SHOWN

3. PERFORMANCE SPECIFICATIONS:
 CURRENT RATING: 3 AMPS MAX
 INSULATION RESISTANCE: 5000 MEGOHMS MIN.
 DWV: 600 VAC;
 TEMPERATURE RATING: 125° C

2 MATERIALS:
 SHELL: 6061-T6 ALUMINUM PER AMS-QQ-A200/8, CADMIUM PLATED PER AMS-QQ-P-416
 INSULATOR: PPS PER MIL-M-24519 GST-40F
 PIN CONTACTS: C17200 BERYLLIUM COPPER PER ASTM-B194,
 GOLD PLATED PER ASTM B488

1 MARKING: UMI, DATE CODE, UMI P/N.

NOTES: UNLESS OTHERWISE SPECIFIED.

QUALITY SYMBOLS CRITICAL SPECIAL KEY	UNLESS SPECIFIED: ALL DIMENSIONS IN INCHES GENERAL TOLERANCES: 3 PLACE ±.005 2 PLACE ±.01 ANGULAR ±2°	SCALE NONE	DWG SIZE B	THIRD ANGLE PROJECTION	REVISE ON CAD ONLY	
	ALL EXTERNAL SPECIFICATIONS REFERENCED ON THIS DRAWING SHALL BE TO THE LATEST REVISION IN EFFECT Ulti-Mate CAGE CODE 58967	DRAWN BY & DATE DW 4-21-14 CHECKED BY & DATE SEE ECN APPROVED BY & DATE SEE ECN	TITLE: MICRO-D PLUG, 31 POSITION, SOLDER CUP CONTACTS, MR31N0		MATERIAL: 2	Ulti-Mate Connector Inc.
		CAD FILENAME SD-834150000.DGN	PART NO. 834150000	DRAWING NO. SD-834150000	SHEET NO. 1 OF 1	PART REV -
		THIS DRAWING CONTAINS INFORMATION THAT IS PROPRIETARY TO ULTI-MATE INCORPORATED AND SHOULD NOT BE USED WITHOUT WRITTEN PERMISSION.				