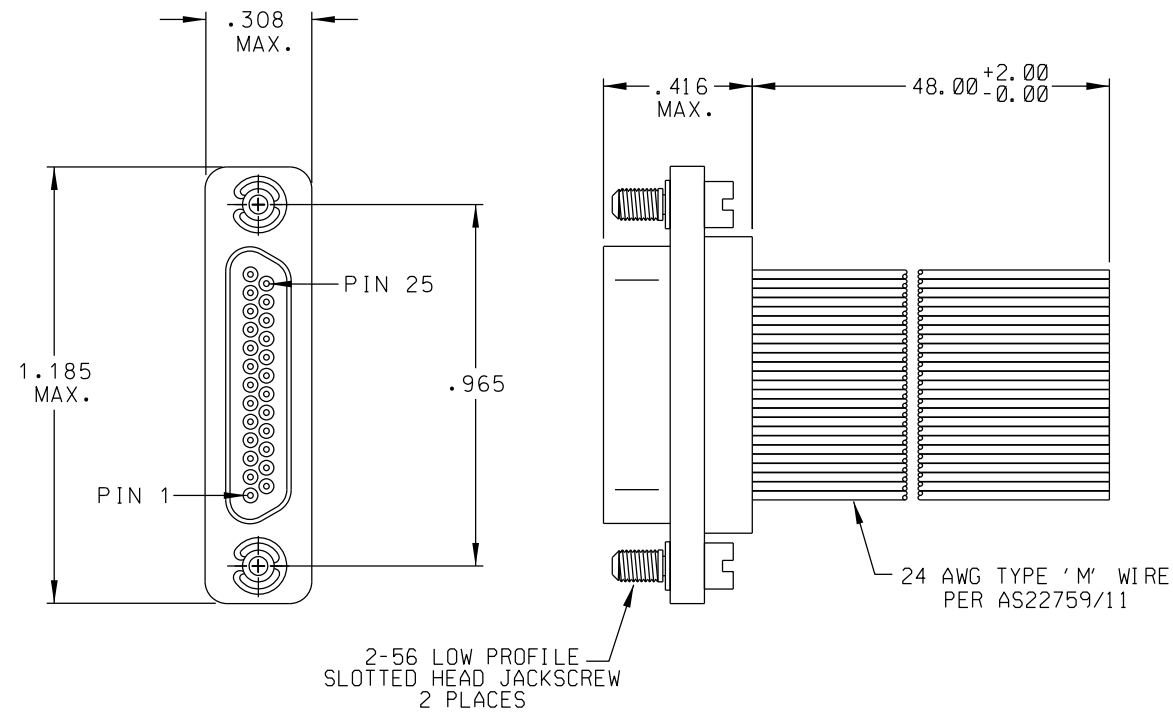


| PART REV | DWG ISSUE | DATE | ECN NO. | APPVD BY | REL BY |
|----------|-----------|--------|----------|----------|--------|
| - | - | 1-9-12 | UMI 4542 | | |



| | |
|----|-----------|
| 1 | BLK |
| 2 | BRN |
| 3 | RED |
| 4 | ORG |
| 5 | YEL |
| 6 | GRN |
| 7 | BLU |
| 8 | VIO |
| 9 | GRY |
| 10 | WHT |
| 11 | W/BLK |
| 12 | W/BRN |
| 13 | W/RED |
| 14 | W/ORG |
| 15 | W/YEL |
| 16 | W/GRN |
| 17 | W/BLU |
| 18 | W/VIO |
| 19 | W/GRY |
| 20 | W/BLK/BRN |
| 21 | W/BLK/RED |
| 22 | W/BLK/ORG |
| 23 | W/BLK/YEL |
| 24 | W/BLK/GRN |
| 25 | W/BLK/BLU |

2-56 LOW PROFILE
SLOTTED HEAD JACKSCREW
2 PLACES

| | | | |
|---|---|--|--|
| QUALITY SYMBOLS MAJOR CRITICAL SPC | UNLESS SPECIFIED: ALL DIMENSIONS IN INCHES GENERAL TOLERANCES: 3 PLACE ± .005 2 PLACE ± .01 ANGULAR ± 2° | SCALE: NONE DWG SIZE: B THIRDS ANGLE PROJECTION | REVISE ON CAD ONLY |
| | Uti-Mate CAGE CODE 58967 | DRAWN BY & DATE: DW 1-9-12 CHECKED BY & DATE: APPROVED BY & DATE: | TITLE: MICRO-D PLUG, 25 PIN, 24 AWG TYPE 'M' WIRE LEADS, MR25P05-24M5-48, 0-S01 |
| | | CAD FILENAME: SD-8341 41 275.DGN | MATERIAL: |
| | | PART NO.: 8341 41 275 DRAWING NO.: SD-8341 41 275 | SHEET NO.: 1 OF 1 PART REV: - |

MATERIALS:
 SHELL: 6061-T6 ALUMINUM PER AMS-QQ-A200/8, NICKEL PLATED PER AMS 2404
 INSULATOR: PPS PER MIL-M-24519 GST-40F, COLOR: BLACK
 PIN CONTACTS: C17200 BERYLLIUM COPPER PER ASTM B194,
 GOLD PLATED PER ASTM B488
 HARDWARE: PASSIVATED STAINLESS STEEL IAW MIL-DTL-83513/5
 1. MARKING: UMI, DATE CODE, UMI P/N.
 NOTES: UNLESS OTHERWISE SPECIFIED.