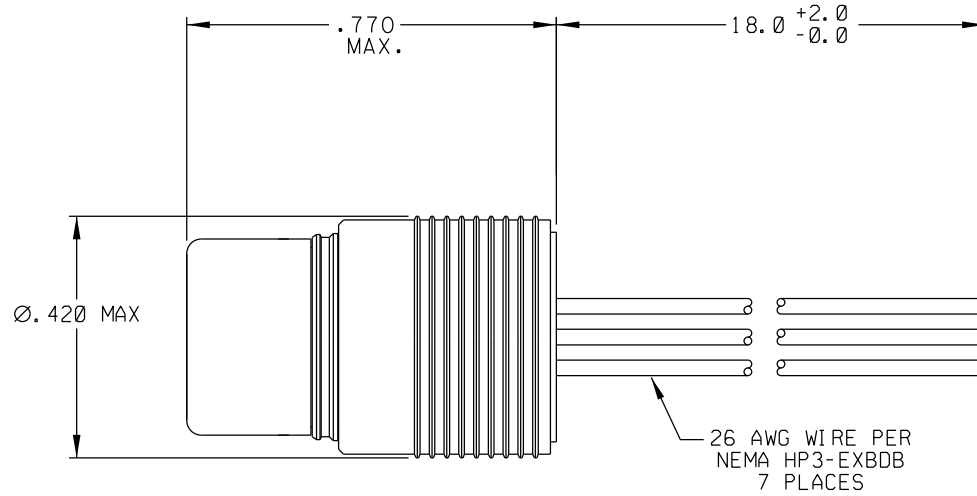
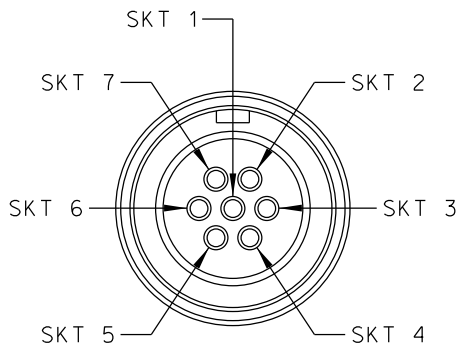


PART REV	DWG ISSUE	DATE	ECN NO.	APPVD BY	REL BY
C	C	5-5-09	UMI 3867	DW	DW



1	BLK
2	BRN
3	RED
4	ORG
5	YEL
6	GRN
7	BLU

2 MATERIALS:
 SHELL AND COUPLING RING: C36000 BRASS PER ASTM B16, NICKEL PLATED PER AMS 2404
 INSULATOR: PPS PER MIL-M-24519 GST-40F, COLOR: BLACK
 CONTACTS: C21000 COPPER ALLOY PER ASTM B36, GOLD PLATED PER ASTM B488

1. MARKING: NONE.

NOTES: UNLESS OTHERWISE SPECIFIED.

QUALITY SYMBOLS	UNLESS SPECIFIED: ALL DIMENSIONS IN INCHES	SCALE NONE	DWG SIZE B	THIRD ANGLE PROJECTION	REVISE ON CAD ONLY
CRITICAL ▼ 0	GENERAL TOLERANCES: 3 PLACE ±.005 2 PLACE ±.01 ANGULAR ±2°	DRAWN BY & DATE D.URBACH 5SEPT00		TITLE: CIRCULAR CONNECTOR, RQPOB1-7S-26E5-18.0	
SPECIAL Ⓢ 0	ALL EXTERNAL SPECIFICATIONS REFERENCED ON THIS DRAWING SHALL BE TO THE LATEST REVISION IN EFFECT	CHECKED BY & DATE SEE ECN		MATERIAL: 2	
KEY ◇ K 0	Ulti-Mate CAGE CODE 58967	APPROVED BY & DATE SEE ECN		CAD FILENAME SD-831011050.DGN	PART NO. 831011050
		DRAWING NO. SD-831011050		SHEET NO. 1 OF 1	PART REV C
THIS DRAWING CONTAINS INFORMATION THAT IS PROPRIETARY TO ULTI-MATE INCORPORATED AND SHOULD NOT BE USED WITHOUT WRITTEN PERMISSION.					

Ulti-Mate
Connector Inc.