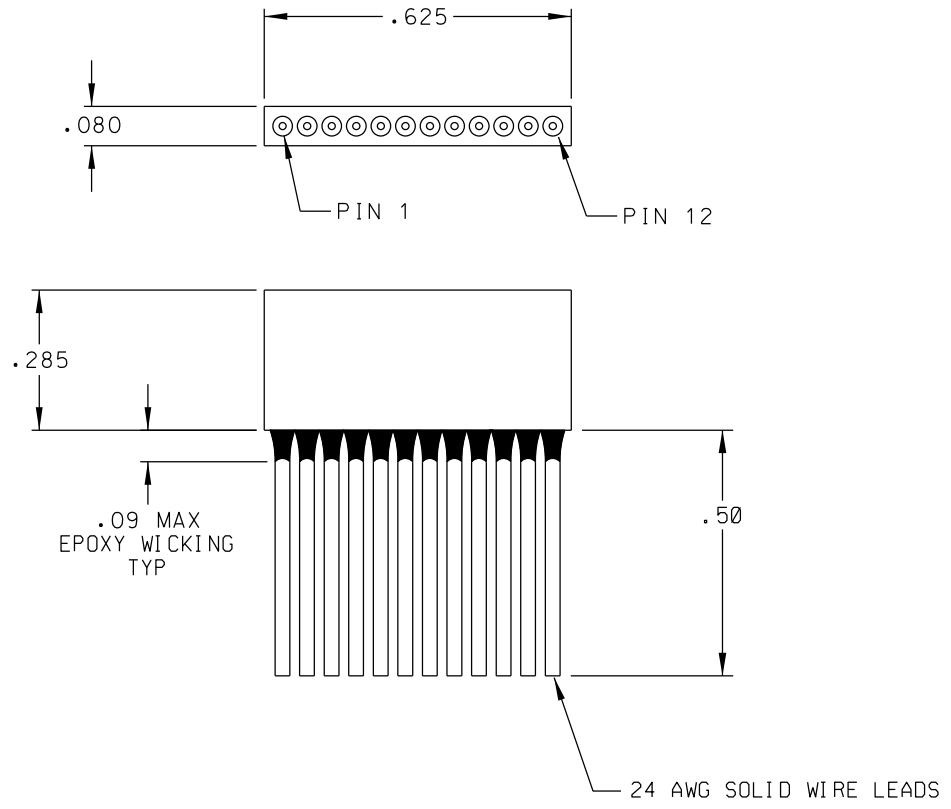


SD-437121330

PART REV	DWG ISSUE	DATE	ECN NO.	APPVD BY	REL BY
-	-	1-4-19	UMI 6988	DW	DW



3. PERFORMANCE SPECIFICATIONS AT 70°F (21°C):
 CURRENT RATING: 3A MAX
 INSULATION RESISTANCE 5000 MΩ
 DWV: 600 VAC
 TEMPERATURE RATING: -55°C TO 200°C

2 MATERIALS:
 INSULATOR: PPS PER MIL-M-24519 GST-40F, COLOR: BLACK
 PIN CONTACTS: C17410 BERYLLIUM COPPER PER ASTM B196,
 GOLD PLATED PER ASTM B488
 WIRE: 24 AWG SOLID WIRE PER A-A-55951 TYPE S, GOLD PLATED PER ASTM B488

1. MARKING: UMI, DATE CODE, UMI P/N AS SPACE PERMITS.

NOTES: UNLESS OTHERWISE SPECIFIED.

QUALITY SYMBOLS	UNLESS SPECIFIED: ALL DIMENSIONS IN INCHES	SCALE 4 : 1	DWG SIZE B	THIRD ANGLE PROJECTION	REVISE ON CAD ONLY
CRITICAL	GENERAL TOLERANCES: 3 PLACE ±.005 2 PLACE ±.01 ANGULAR ±2°	DRAWN BY & DATE DW 1-4-19	CHECKED BY & DATE SEE ECN	TITLE: STRIP CONNECTOR, SR12PO-24C4-.50-HT	
SPECIAL	ALL EXTERNAL SPECIFICATIONS REFERENCED ON THIS DRAWING SHALL BE TO THE LATEST REVISION IN EFFECT	APPROVED BY & DATE SEE ECN	CAD FILENAME SD-437121330.DGN	MATERIAL: 2	Uti-Mate Connector Inc.
KEY	Uti-Mate CAGE CODE 58967	PART NO. 437121330	DRAWING NO. SD-437121330	SHEET NO. 1 OF 1	PART REV -
		THIS DRAWING CONTAINS INFORMATION THAT IS PROPRIETARY TO ULTI-MATE INCORPORATED AND SHOULD NOT BE USED WITHOUT WRITTEN PERMISSION.			