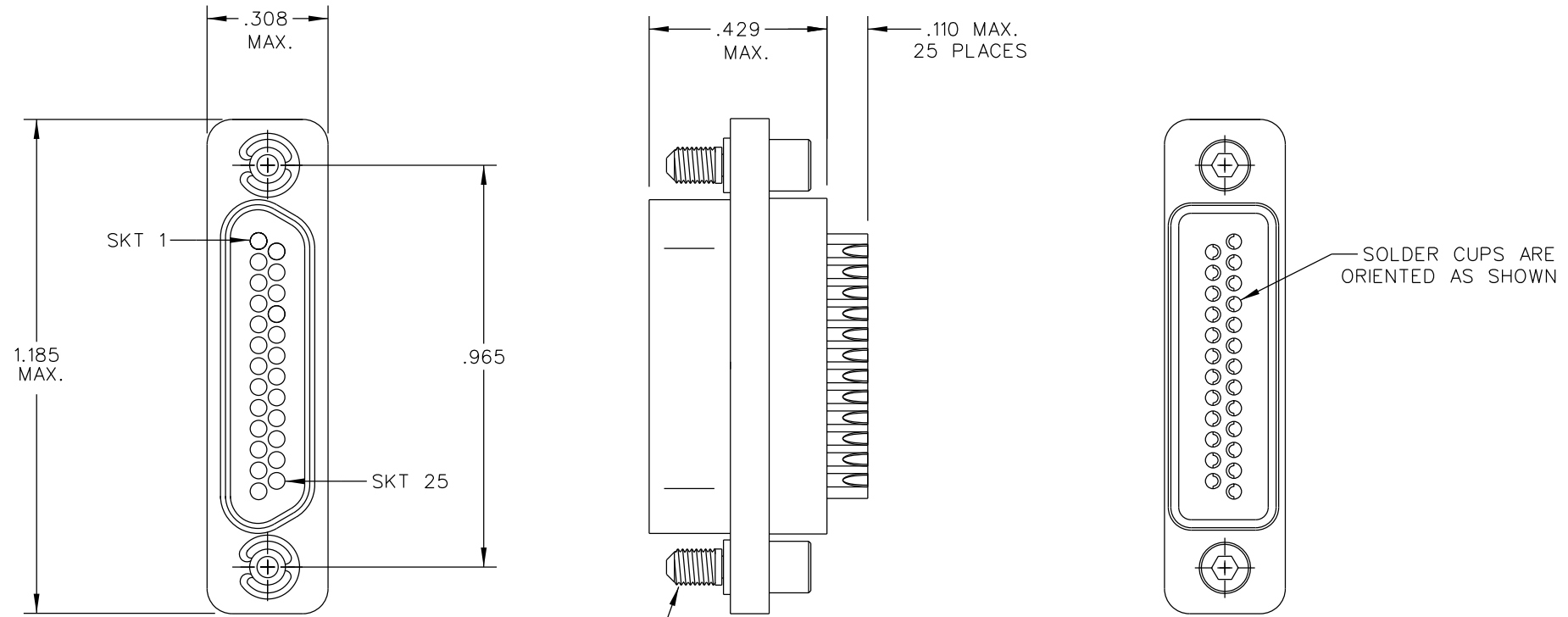


PART REV	DWG ISSUE	DATE	ECN NO.	APPVD BY	REL BY
-	-	11-6-12	UMI 4776		



3. PERFORMANCE SPECIFICATIONS:  
 CURRENT RATING: 3A MAX  
 INSULATION RESISTANCE: 5000 MOHMS MIN.  
 DWV: 600 VAC  
 TEMPERATURE RATING: 200°C  
 CONTACT RESISTANCE: 8 MOHMS MAX AT 2.5 AMPS

MATERIALS:  
 SHELL: 6061-T6 ALUMINUM PER QQ-A200/8 NICKEL PLATED PER AMS2404  
 INSULATOR: PPS PER MIL-M-24519 GST-40F, COLOR: BLACK  
 SOCKET CONTACT: C31400 COPPER ALLOY PER ASTM B140, 1/2 HARD, GOLD PLATED PER ASTM B488

HARDWARE: PASSIVATED STAINLESS STEEL IAW MIL-STL-8351 3/5  
 INTERFACIAL SEAL: FLOUROSILICONE PER MIL-R-25988

1. MARKING: UMI, DATE CODE, UMI P/N.  
 NOTES: UNLESS OTHERWISE SPECIFIED.

QUALITY SYMBOLS MAJOR CRITICAL SPC	UNLESS SPECIFIED: ALL DIMENSIONS IN INCHES	SCALE 4 : 1	DWG SIZE B	THIRD ANGLE PROJECTION	REVISE ON CAD ONLY
	GENERAL TOLERANCES: 3 PLACE ± .005 2 PLACE ± .01 ANGULAR ± 2°	DRAWN BY & DATE DW 11-6-12	TITLE: MICRO-D RECEPTACLE ASSEMBLY SOCKET SOLDER CUP CONTACTS, HIGH-TEMP, MR25T02-S01-HT		
	Uti-Mate CAGE CODE <b>58967</b>	CHECKED BY & DATE	MATERIAL: 2		Uti-Mate Connector Inc.
		APPROVED BY & DATE	CAD FILENAME SD-434241002.DGN	PART NO. 434241002	DRAWING NO. SD-434241002
		THIS DRAWING CONTAINS INFORMATION THAT IS PROPRIETARY TO ULTI-MATE INCORPORATED AND SHOULD NOT BE USED WITHOUT WRITTEN PERMISSION.			SHEET NO. 1 OF 1 PART REV -