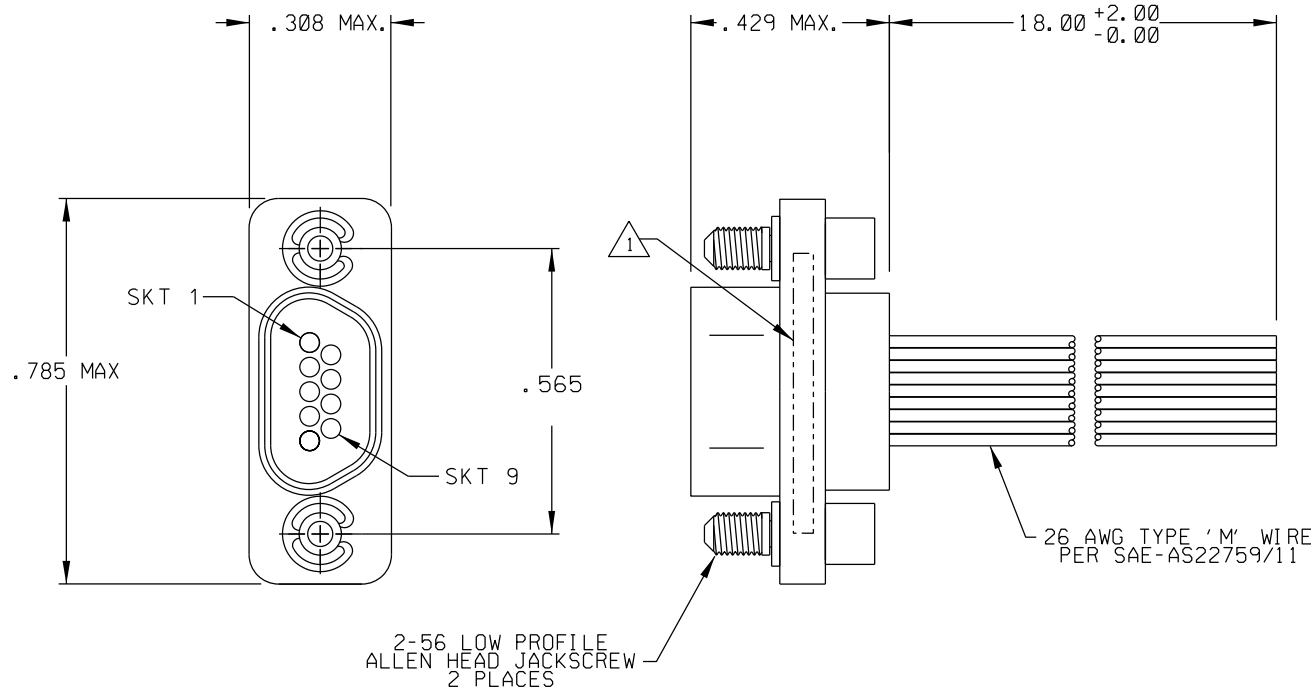


PART REV	DWG ISSUE	DATE	ECN NO.	APPVD BY	REL BY
-	-	1-20-14	UMI 5208	DW	DW



1	BLK
2	BRN
3	RED
4	ORG
5	YEL
6	GRN
7	BLU
8	VIO
9	GRY

3. PERFORMANCE SPECIFICATIONS:  
 CURRENT RATING: 3A MAX  
 INSULATION RESISTANCE: 5000 MEGOHMS MIN  
 DWV: 600 VAC  
 TEMPERATURE RATING: 200°C

2 MATERIALS:  
 SHELL: 6061-T6 ALUMINUM PER QQ-A200/8 NICKEL PLATED PER AMS 2404  
 INSULATOR: PPS PER MIL-M-24519 GST-40F, COLOR: BLACK  
 SOCKET CONTACT: C21000 BRASS ALLOY, 1/2 HARD, PER ASTM B36  
 GOLD PLATED PER ASTM B488  
 HARDWARE: PASSIVATED STAINLESS STEEL IAW MIL-DTL-83513/5  
 INTERFACIAL SEAL: FLUOROSILICONE PER MIL-R-25988

1 MARKING: UMI, DATE CODE, UMI P/N.

NOTES: UNLESS OTHERWISE SPECIFIED.

QUALITY SYMBOLS	UNLESS SPECIFIED: ALL DIMENSIONS IN INCHES	SCALE NONE	DWG SIZE B	THIRD ANGLE PROJECTION	REVISE ON CAD ONLY
CRITICAL	GENERAL TOLERANCES: 3 PLACE ±.005 2 PLACE ±.01 ANGULAR ±2°	DRAWN BY & DATE DW 1-20-14	CHECKED BY & DATE SEE ECN	TITLE: MICRO-D RECEPTACLE, SIZE 9, 26 AWG TYPE 'M' WIRE, 18 MR09S02-26M5-18.0-501-HT	
MAJOR	ALL EXTERNAL SPECIFICATIONS REFERENCED ON THIS DRAWING SHALL BE TO THE LATEST REVISION IN EFFECT	APPROVED BY & DATE SEE ECN	CAD FILENAME SD-434211182.DGN	PART NO. 434211182	DRAWING NO. SD-434211182
NO SYMBOL MINOR DIMENSION	Ulti-Mate CAGE CODE <b>58967</b>	MATERIAL:			Uti-Mate Connector Inc.
THIS DRAWING CONTAINS INFORMATION THAT IS PROPRIETARY TO ULTI-MATE INCORPORATED AND SHOULD NOT BE USED WITHOUT WRITTEN PERMISSION.				SHEET NO. 1 OF 1	PART REV -