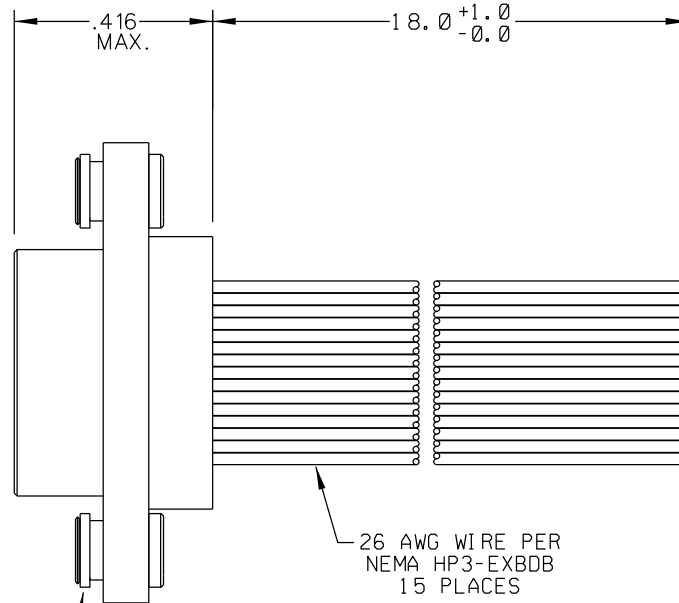
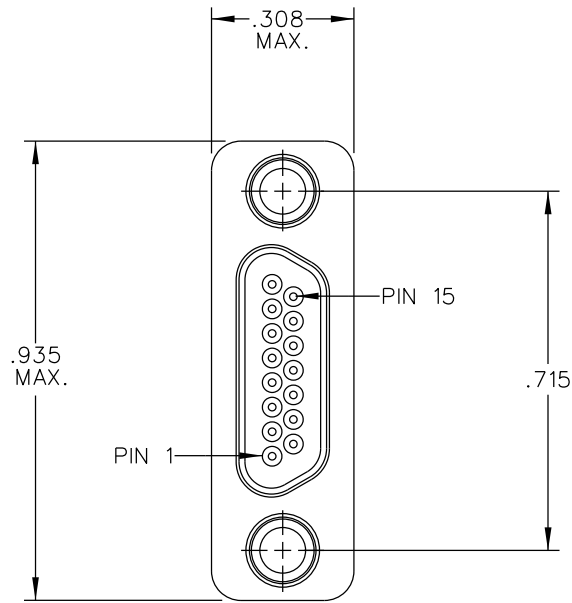


| PART REV | DWG ISSUE | DATE | ECN NO. | APPVD BY | REL BY |
|----------|-----------|----------|----------|----------|--------|
| - | - | 11-30-10 | UMI 4245 | DW | DW |
| A | A | 9-10-14 | UMI 5403 | DW | DW |



FLOAT MOUNT BUSHING
2 PLACES

| | |
|----|-------|
| 1 | BLK |
| 2 | BRN |
| 3 | RED |
| 4 | ORG |
| 5 | YEL |
| 6 | GRN |
| 7 | BLU |
| 8 | VIO |
| 9 | GRY |
| 10 | WHT |
| 11 | W/BLK |
| 12 | W/BRN |
| 13 | W/RED |
| 14 | W/ORG |
| 15 | W/YEL |

- 2 MATERIALS:
 SHELL: 6061-T6 ALUMINUM PER AMS-QQ-A200/8,
 CAD PLATED PER AMS-QQ-P-416
 INSULATOR: PPS PER MIL-M-24519 GST-40F
 PIN CONTACTS: C17410 BERYLLIUM COPPER PER ASTM B768,
 GOLD PLATED PER ASTM B488
 FLOAT MOUNT BUSHINGS: 300 SERIES STAINLESS STEEL PER ASTM A582,
 PASSIVATED PER AMS 2700

1. MARKING: UMI, DATE CODE, UMI P/N.
 NOTES: UNLESS OTHERWISE SPECIFIED.

| | | | | | | |
|---|--|--|--|-----------------------------|---------------------|-------------------------|
| QUALITY SYMBOLS CRITICAL SPECIAL KEY | UNLESS SPECIFIED: ALL DIMENSIONS IN INCHES/MM GENERAL TOLERANCES: 3 PLACE ±.005 2 PLACE ±.01 ANGULAR ±2° | SCALE 4 : 1 | DWG SIZE B | THIRD ANGLE PROJECTION | REVISE ON CAD ONLY | |
| | ALL EXTERNAL SPECIFICATIONS REFERENCED ON THIS DRAWING SHALL BE TO THE LATEST REVISION IN EFFECT UMI-Mate CAGE CODE 58967 | DRAWN BY & DATE DW 2-10-05 CHECKED BY & DATE SEE ECN APPROVED BY & DATE SEE ECN | TITLE: MICRO-D PLUG, MALE, SIZE 15, HI-TEMP, W/FLOAT MOUNT BUSHINGS, MR15P0-26E5-18.0-F01-HT | | MATERIAL: | Uti-Mate Connector Inc. |
| | | CAD FILENAME SD-839040155.DGN | PART NO. 839040155 | DRAWING NO. SD-839040155 | SHEET NO. 1 OF 1 | PART REV A |
| | | THIS DRAWING CONTAINS INFORMATION THAT IS PROPRIETARY TO ULTI-MATE INCORPORATED AND SHOULD NOT BE USED WITHOUT WRITTEN PERMISSION. | | | | |