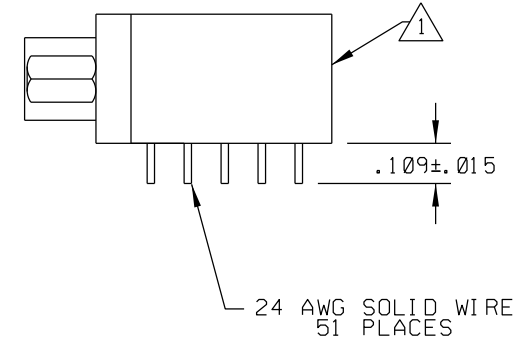
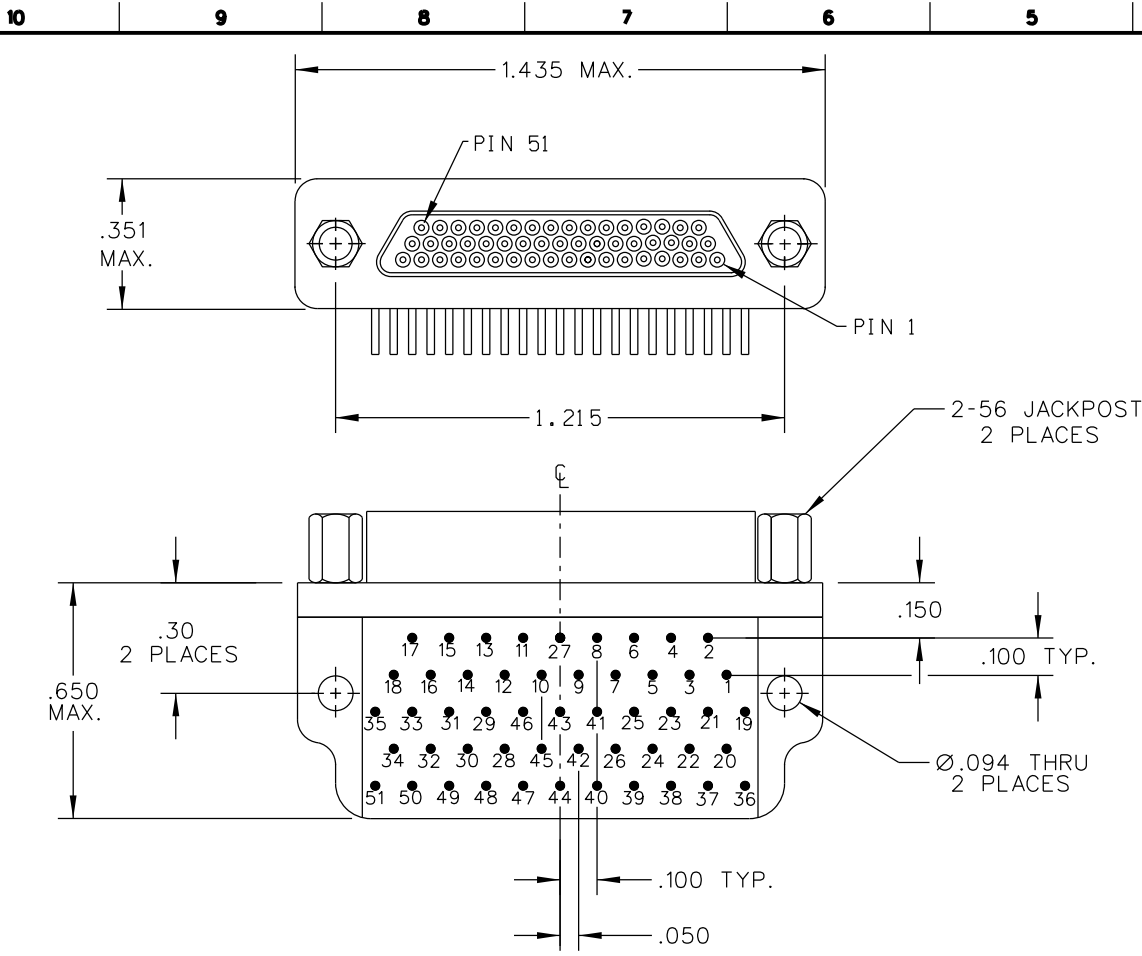


PART REV	DWG ISSUE	DATE	ECN NO.	APPVD BY	REL BY
-	-	11-14-16	UMI 6144	DW	DW

F
E
D
C
B
A



3. PERFORMANCE SPECIFICATIONS (AT AMBIENT TEMPERATURE):
 CURRENT RATING: 3 AMPS PER CONTACT
 DWV: 600 VAC
 INSULATION RESISTANCE: 5000 MEGOHMS MIN.
 TEMPERATURE RATING: 200°C
- 2 MATERIALS:
 SHELL: 6061-T6 ALUMINUM PER AMS-QQ-A200/8 NICKEL PLATED PER AMS 2404
 INSULATOR AND BACKSHELL: PPS PER MIL-M-24519 GST-40F
 PIN CONTACTS: C17200 BERYLLIUM COPPER PER ASTM B194
 GOLD PLATED PER ASTM B488-01
 24 AWG SOLID WIRE LEADS: .000030 THK GOLD PLATED COPPER ALLOY
 HARDWARE: 300 SERIES STAINLESS STEEL, PASSIVATED PER AMS 2700
- 1 MARKING: UMI, DATE CODE, UMI P/N, WORK ORDER NUMBER.
- NOTES: UNLESS OTHERWISE SPECIFIED

QUALITY SYMBOLS	UNLESS SPECIFIED: ALL DIMENSIONS IN INCHES	SCALE NONE	DWG SIZE B	THIRD ANGLE PROJECTION	REVISE ON CAD ONLY
CRITICAL	GENERAL TOLERANCES: 3 PLACE ±.005 2 PLACE ±.01 ANGULAR ±2°	DRAWN BY & DATE DW 11-14-16	CHECKED BY & DATE SEE ECN	TITLE: CIRCUIT CONNECTOR, PLUG, SIZE 51, STYLE 1 (90°) BACKSHELL, CMI R51-3P07-24C4-S01-HT	
SPL/MAJOR	ALL EXTERNAL SPECIFICATIONS REFERENCED ON THIS DRAWING SHALL BE TO THE LATEST REVISION IN EFFECT	APPROVED BY & DATE SEE ECN	CAD FILENAME SD-839040079.DGN	PART NO. 839040079	DRAWING NO. SD-839040079
KEY	Ulti-Mate CAGE CODE 58967	THIS DRAWING CONTAINS INFORMATION THAT IS PROPRIETARY TO ULTI-MATE INCORPORATED AND SHOULD NOT BE USED WITHOUT WRITTEN PERMISSION.			SHEET NO. 1 OF 1

