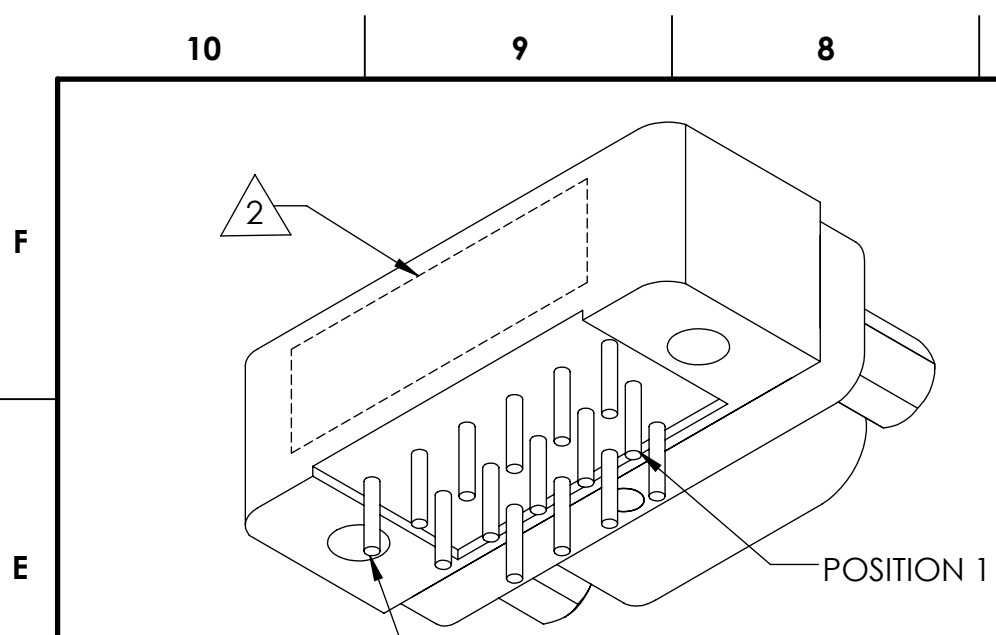
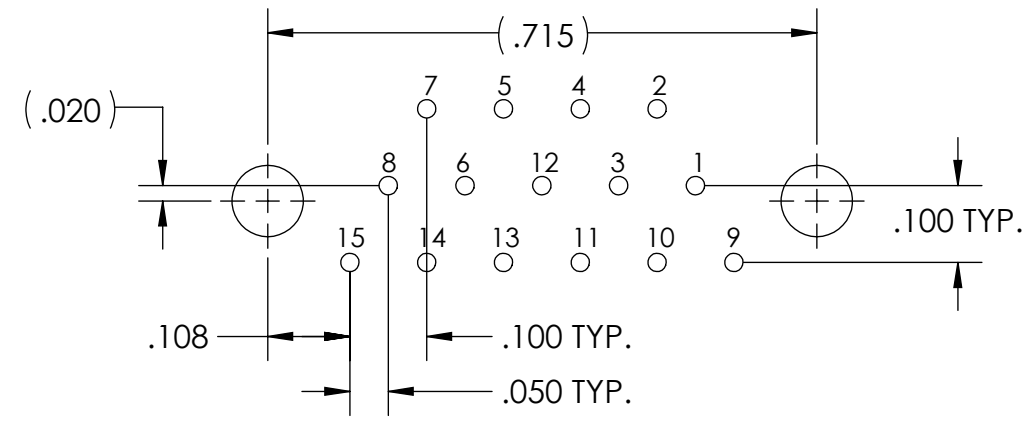


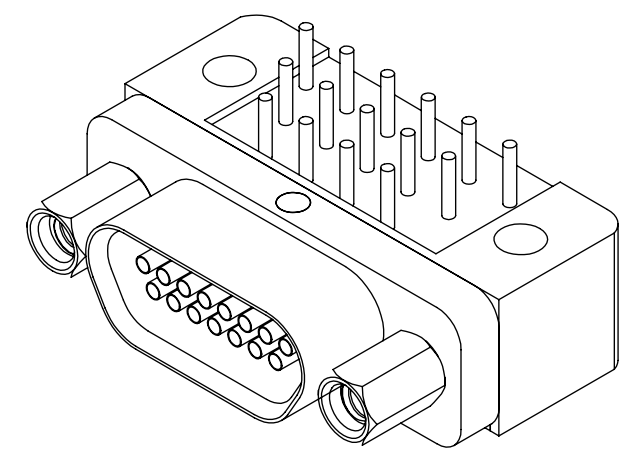
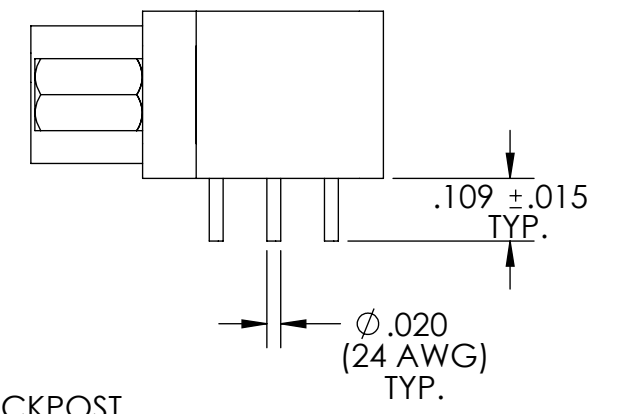
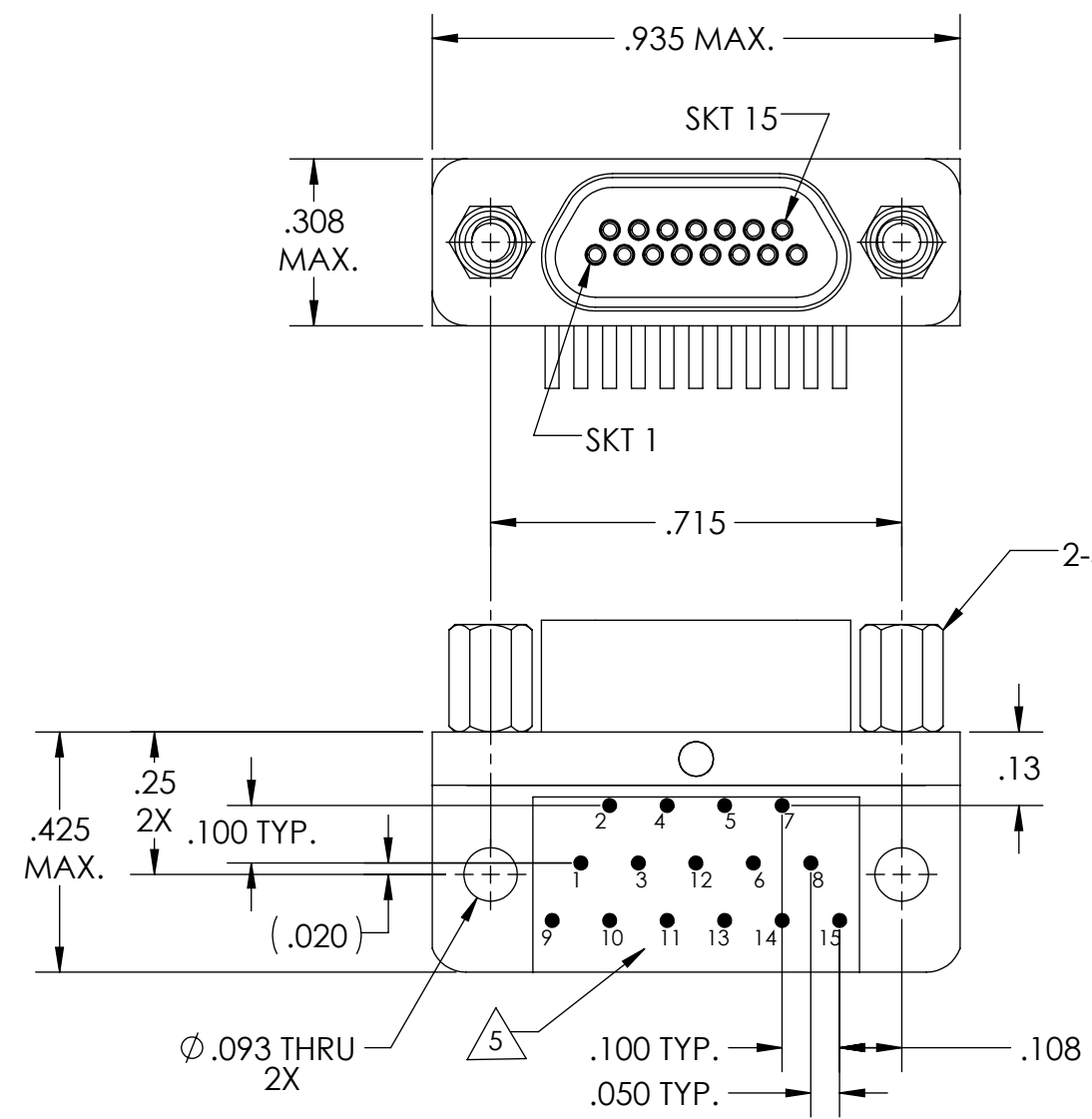
PART REV	DWG ISSUE	DATE	ECN NO.	APPVD BY	REL BY
-	-	2/21/17	UMI6242	DW	DW
-	A	8/7/17	UMI6456	DW	DW



PCB VIEW



RECOMMENDED PCB LAYOUT



5 NUMBERS ARE REFERENCE ONLY AND DO NOT APPEAR ON ACTUAL ASSEMBLY.

4. PERFORMANCE SPECIFICATIONS:
 CURRENT RATING: 3 AMPS MAX. (AT AMBIENT TEMPERATURE)
 DWV: 600 VAC
 TEMPERATURE RATING: -55°C TO 200°C

3 MATERIALS:
 SHELL: 6061-T6 ALUMINUM PER AMS-QQ-A200/8, NICKEL PLATED PER AMS-2404
 INSULATOR/BACKSHELL: PPS PER MIL-M-24519 GST-40F, COLOR: BLACK
 SOCKET CONTACTS: C21000 COPPER ALLOY PER ASTM B36, GOLD PLATED PER ASTM B488
 24 AWG LEADS: .000010 THK GOLD PLATED COPPER ALLOY PER A-A-59551, TYPE S
 HARDWARE: PASSIVATED STAINLESS STEEL IAW MIL-DTL-83513/5
 INTERFACIAL SEAL: FLUOROSILICONE PER MIL-R-25988

2 MARKING: "UMI", DATE CODE, UMI PART NUMBER, UMI WORK ORDER NUMBER

1. CONNECTOR ASSEMBLY IS IAW MIL-DTL-83513 UNLESS OTHERWISE SPECIFIED.

NOTES: UNLESS OTHERWISE SPECIFIED.

QUALITY SYMBOLS CRITICAL MAJOR NO SYMBOLS = MINOR DIMENSIONS	UNLESS OTHERWISE SPECIFIED: ALL DIMENSIONS ARE IN INCHES	SCALE 3:1	DWG SIZE B	THIRD ANGLE PROJECTION	REVISE ON CAD ONLY		
	GENERAL TOLERANCES: 3 PLACES ±.005 2 PLACES ±.01 ANGULAR ±2°	DRAWN BY & DATE DU 8/7/17	TITLE: MICRO-D CIRCUIT CONNECTOR, RECEPTACLE, SIZE 15, STYLE 1, JACKPOST, HIGH-TEMP CM1R15S07-S01-HT			MATERIAL: 3	ENG PROJECT #: NONE
		CHECKED BY & DATE DW 8/7/17	PART NO.: 839040076				
		APPROVED BY & DATE DW 8/7/17	DRAWING NO.: SD-839040076				
	CAD FILE NAME SD-839040076.SLDDRW	ULTI-MATE CAGE CODE 58967		SHEET NO.: 1 of 1		PART REV.: -	
THIS DRAWING CONTAINS INFORMATION THAT IS PROPRIETARY TO ULTI-MATE INCORPORATED AND SHOULD NOT BE USED WITHOUT WRITTEN PERMISSION.							

