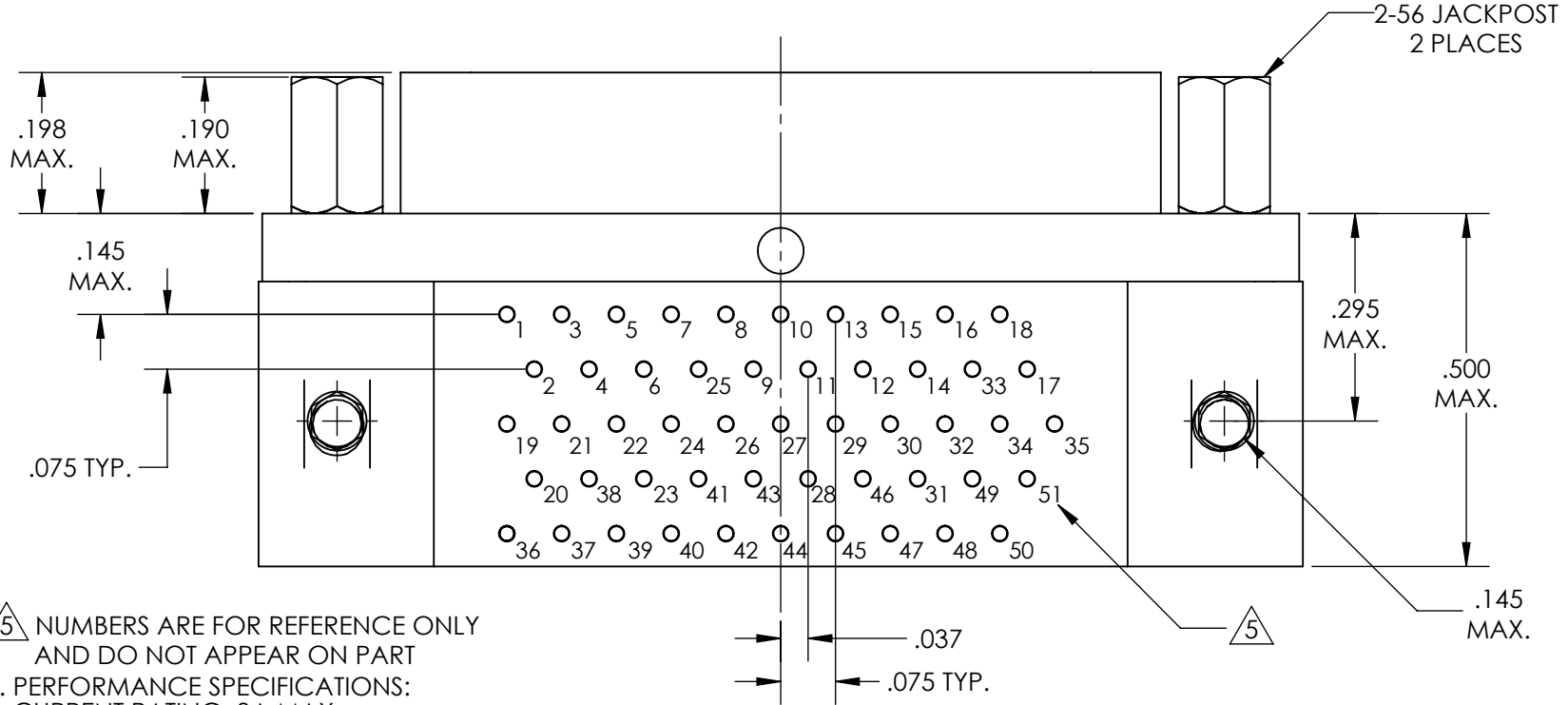
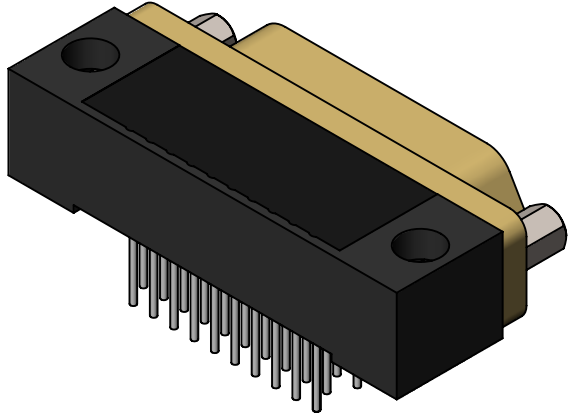
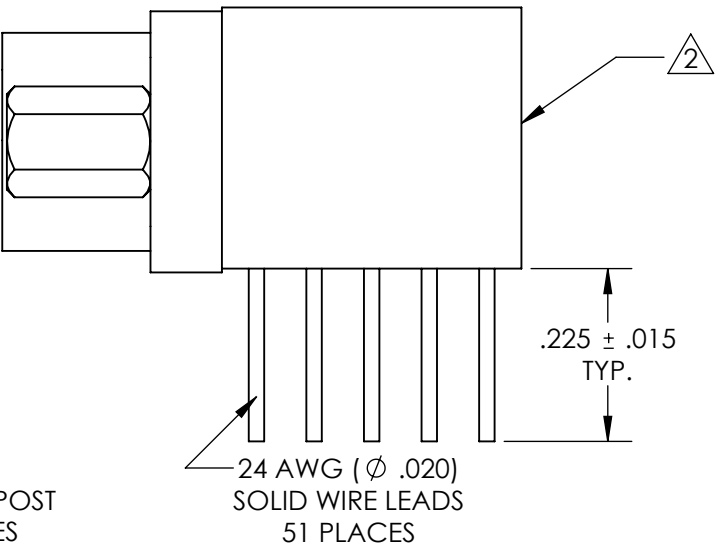
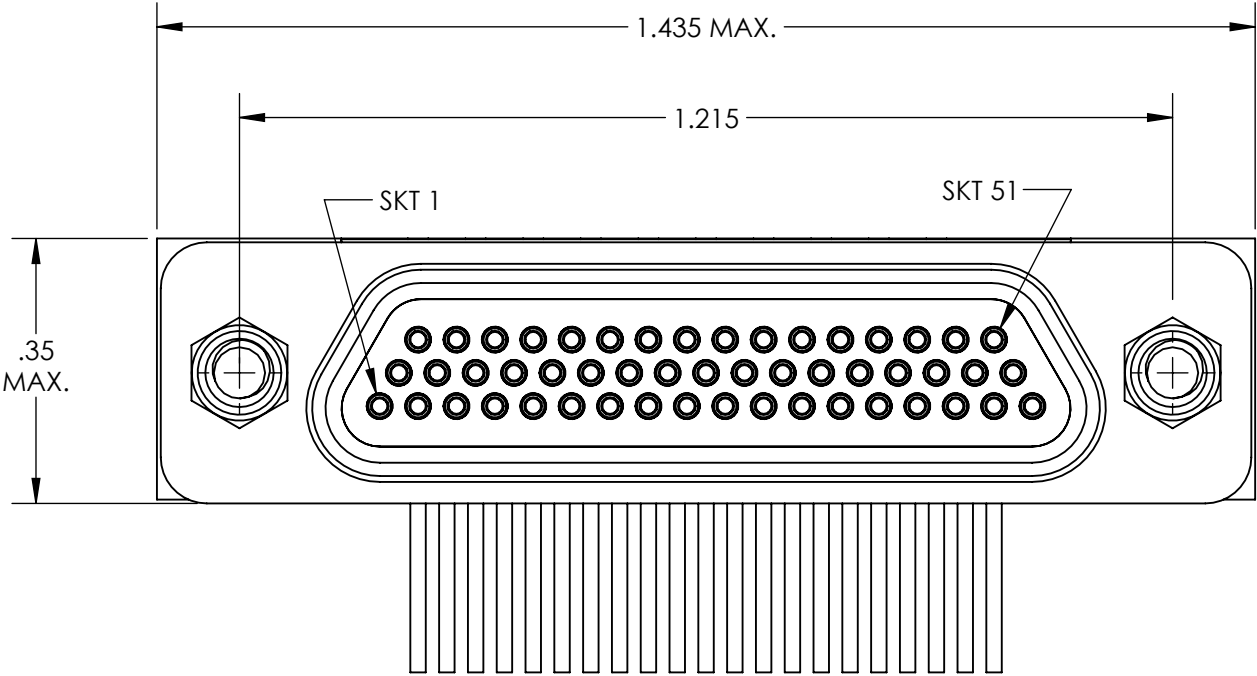
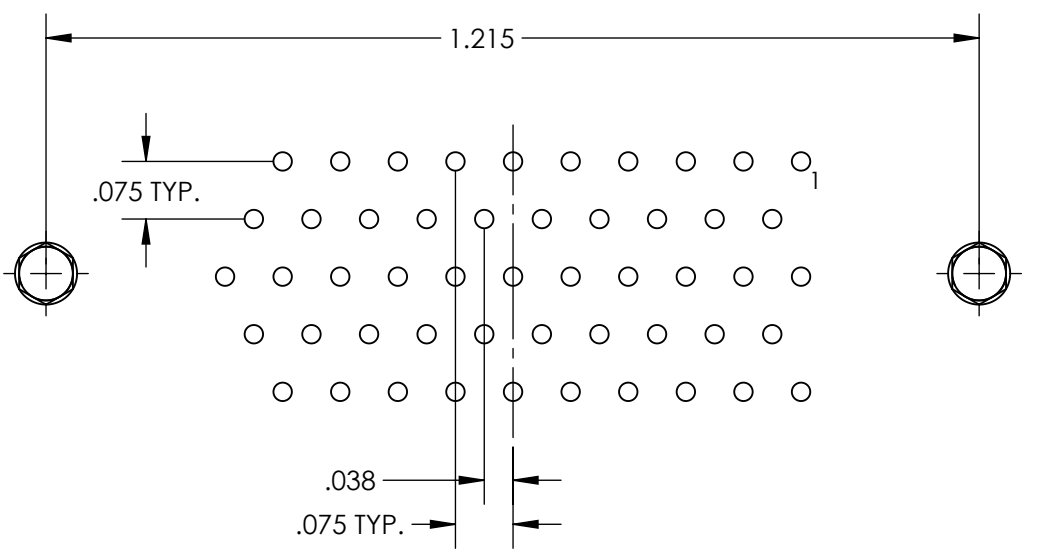


REVISIONS

PART REV.	DWG. ISSUE	DATE	ECN NO.	APPVD. BY	REL. BY
A	-	01/24/2014	UMI5214	DW	DW
B	A	08/25/2017	UMI6483	DW	DW
C	B	11/16/2018	UMI6948	FA	DW



RECOMMENDED PCB LAYOUT



5 NUMBERS ARE FOR REFERENCE ONLY AND DO NOT APPEAR ON PART
 4. PERFORMANCE SPECIFICATIONS:
 CURRENT RATING: 3A MAX.
 INSULATION RESISTANCE: 5000 MΩ MIN.
 DWV: 600 VAC
 TEMPERATURE RATING: 125°C

3 MATERIALS:
 SHELL: 6061-T6 ALUMINUM PER AMS-QQ-A200/8, CADMIUM PLATED PER AMS-QQ-P-416
 INSULATOR AND BACKSHELL: PPS PER MIL-M-24519 GST-40F, COLOR: BLK
 SOCKET CONTACTS: C21000 COPPER ALLOY PER ASTM B36, GOLD PLATED PER ASTM B488
 24 AWG LEADS: COPPER ALLOY PER A-A-59551 TYPE S, 60/40 TIN/LEAD PLATED PER AMS-P-81728
 HARDWARE: PASSIVATED STAINLESS STEEL IAW MIL-DTL-83513/5
 INTERFACIAL SEAL: FLUOROSILICONE PER MIL-R-25988

2 MARKINGS: UMI, UMI PART NO., AND DATE CODE
 1. CONNECTOR ASSEMBLY IS IAW MIL-DTL-83513 UNLESS OTHERWISE SPECIFIED

NOTES: UNLESS OTHERWISE SPECIFIED

QUALITY SYMBOLS CRITICAL MAJOR NO SYMBOL = MINOR DIMENSION	UNLESS SPECIFIED: ALL DIMENSIONS IN INCHES GENERAL TOLERANCES: 3 PLACE ±.005 2 PLACE ±.01 ANGULAR ±2° ALL EXTERNAL SPECIFICATIONS REFERENCED ON THIS DRAWING SHALL BE THE LATEST REVISION IN EFFECT Ulti-Mate CAGE CODE 58967	SCALE 4:1	DWG SIZE B	THIRD ANGLE PROJECTION	REVISE ON CAD ONLY		
	DRAWN BY & DATE JB 01/24/2014	TITLE MICRO-D CIRCUIT CONNECTOR, RECEPTACLE, STYLE 8, SIZE 51 CM8R51-3S07T		MATERIAL 3		ENG PROJECT # E161	
	CHECKED BY & DATE DW 1-24-14	APPROVED BY & DATE DW 1-24-14		PART NO. 839000415	DRAWING NO. SD-839000415	SHEET NO. 1 OF 1	
	CAD FILENAME SD-839000415.slddrw	THIS DRAWING CONTAINS INFORMATION THAT IS PROPRIETARY TO ULTI-MATE INCORPORATED AND SHOULD NOT BE USED WITHOUT WRITTEN PERMISSION.		PART REV. C			
	4. PERFORMANCE SPECIFICATIONS: CURRENT RATING: 3A MAX. INSULATION RESISTANCE: 5000 MΩ MIN. DWV: 600 VAC TEMPERATURE RATING: 125°C						