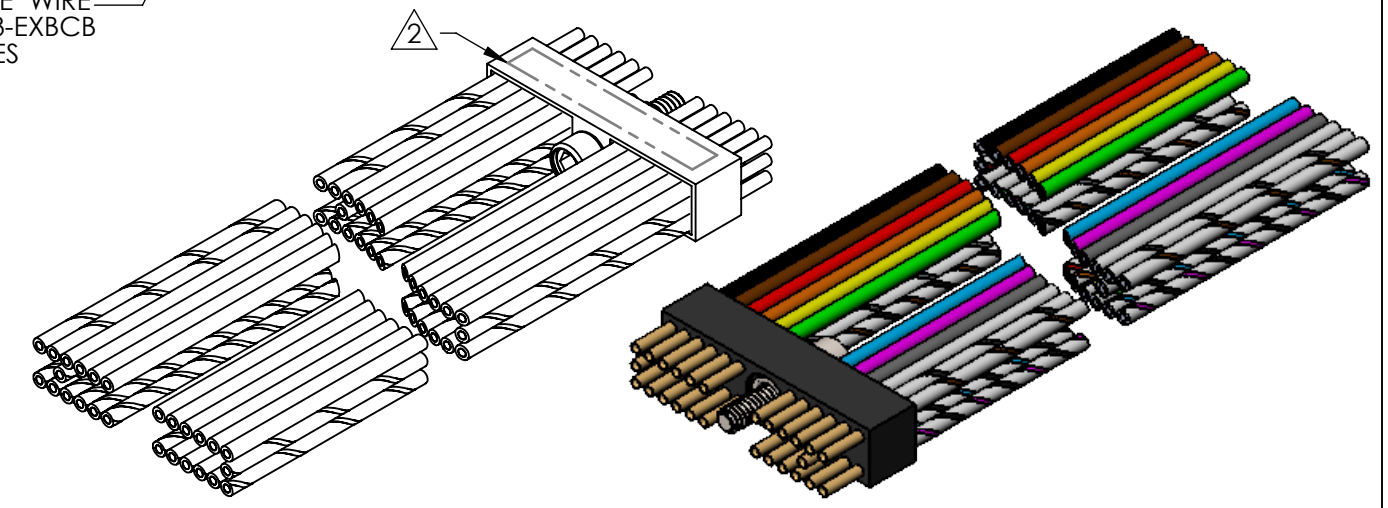
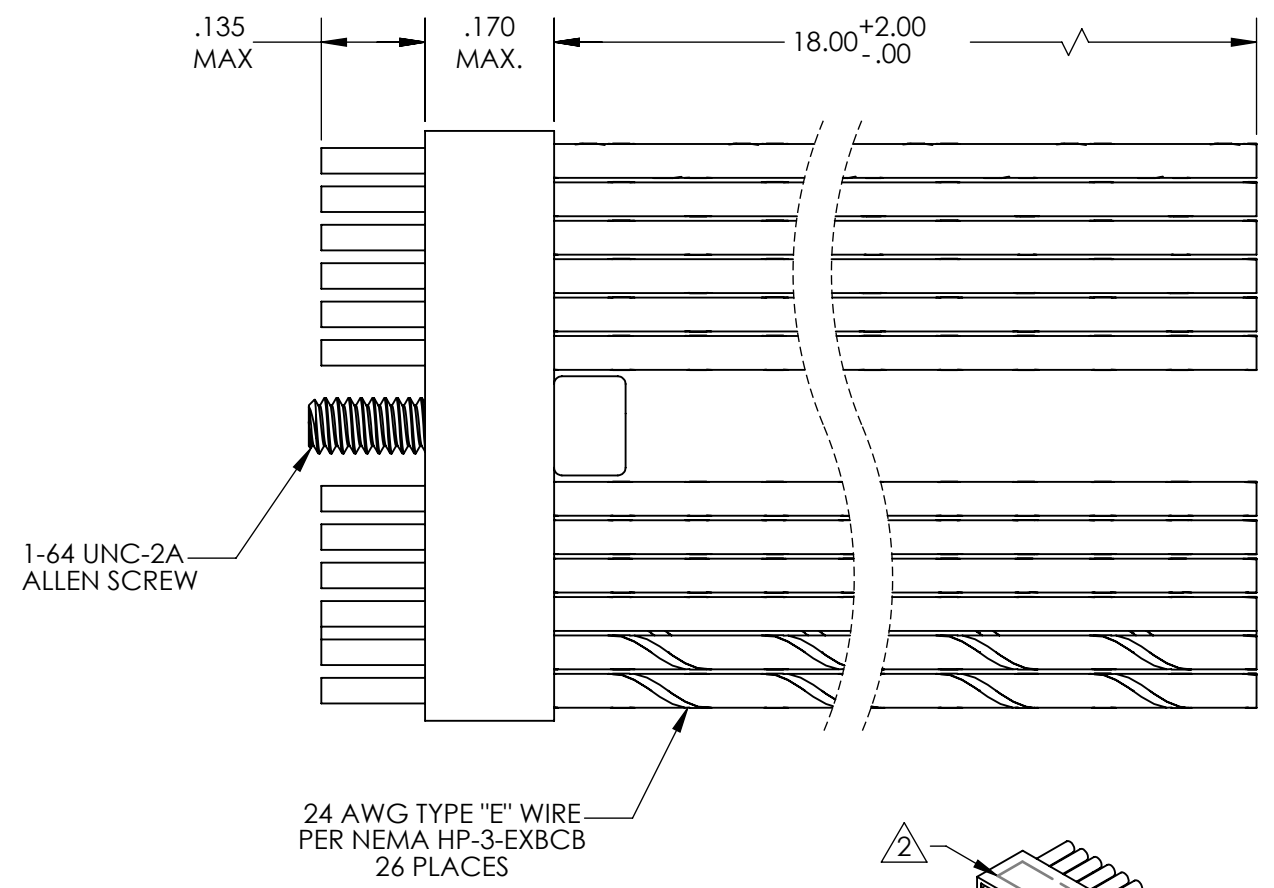
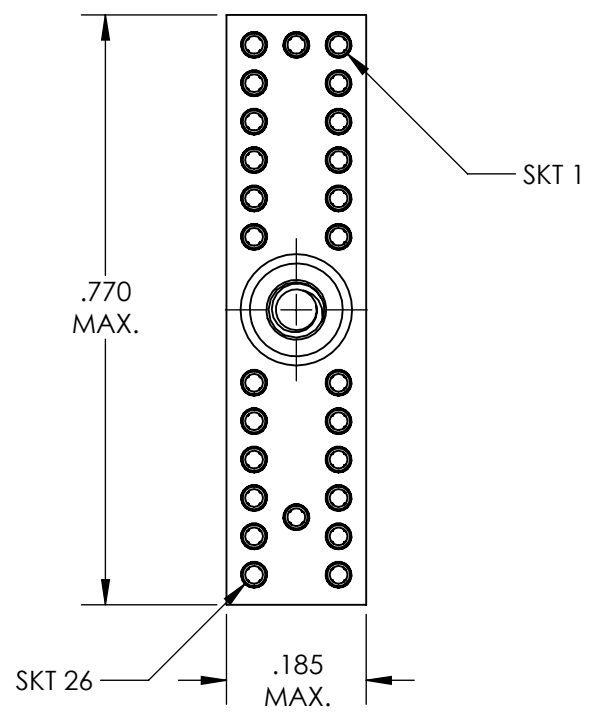


REVISIONS					
DWG. ISSUE	PART REV.	DATE	ECN NO.	APPVD. BY	REL. BY
-	-	07/01/2013	UMI5014	DW	DW

**COLOR CODE**

1	BLK
2	BRN
3	RED
4	ORG
5	YEL
6	GRN
7	BLU
8	VIO
9	GRY
10	WHT
11	W/BLK
12	W/BRN
13	W/RED
14	W/ORG
15	W/YEL
16	W/GRN
17	W/BLU
18	W/VIO
19	W/GRY
20	W/BLK/BRN
21	W/BLK/RED
22	W/BLK/ORG
23	W/BLK/YEL
24	W/BLK/GRN
25	W/BLK/BLU
26	W/BLK/VIO



4. PERFORMANCE SPECIFICATIONS:  
 CURRENT RATING: 3A MAX.  
 INSULATION RESISTANCE: 5000 MΩ MIN.  
 DWV: 600 VAC  
 TEMPERATURE RATING: 125°C

3 MATERIALS:  
 BODY/INSULATOR: PPS PER MIL-M-24519 GST-40F, COLOR: BLK  
 SOCKET CONTACTS: C21000 BRASS ALLOY PER ASTM B36, GOLD PLATED PER ASTM B488  
 HARDWARE: PASSIVATED STAINLESS STEEL IAW MIL-DTL-83513/5

2 MARKINGS: UMI, UMI PART NO., AND DATE CODE  
 1. CONNECTOR ASSEMBLY IS IAW MIL-DTL-83513 UNLESS OTHERWISE SPECIFIED

**NOTES: UNLESS OTHERWISE SPECIFIED**

QUALITY SYMBOLS CRITICAL  MAJOR  NO SYMBOL = MINOR DIMENSION	<b>UNLESS SPECIFIED:</b> ALL DIMENSIONS IN INCHES  GENERAL TOLERANCES: 3 PLACE ±.005 2 PLACE ±.01 ANGULAR ±2°  UMI-Mate CAGE CODE <b>58967</b>	SCALE <b>3:1</b>	DWG SIZE <b>B</b>	 THIRD ANGLE PROJECTION	<b>REVISE ON CAD ONLY</b>		
		DRAWN BY & DATE JB 07/01/2013		TITLE JSB CONNECTOR, RECEPTACLE, SIZE 26, STANDARD JSBR-26S-24E5-18.0S			
		CHECKED BY & DATE SEE ECN		MATERIAL 3			
		APPROVED BY & DATE SEE ECN		CAD FILENAME SD-838332140.slddrw	PART NO. 838332140	DRAWING NO. SD-838332140	SHEET NO. <b>1 OF 1</b>
		THIS DRAWING CONTAINS INFORMATION THAT IS PROPRIETARY TO ULTI-MATE INCORPORATED AND SHOULD NOT BE USED WITHOUT WRITTEN PERMISSION.				PART REV. -	

