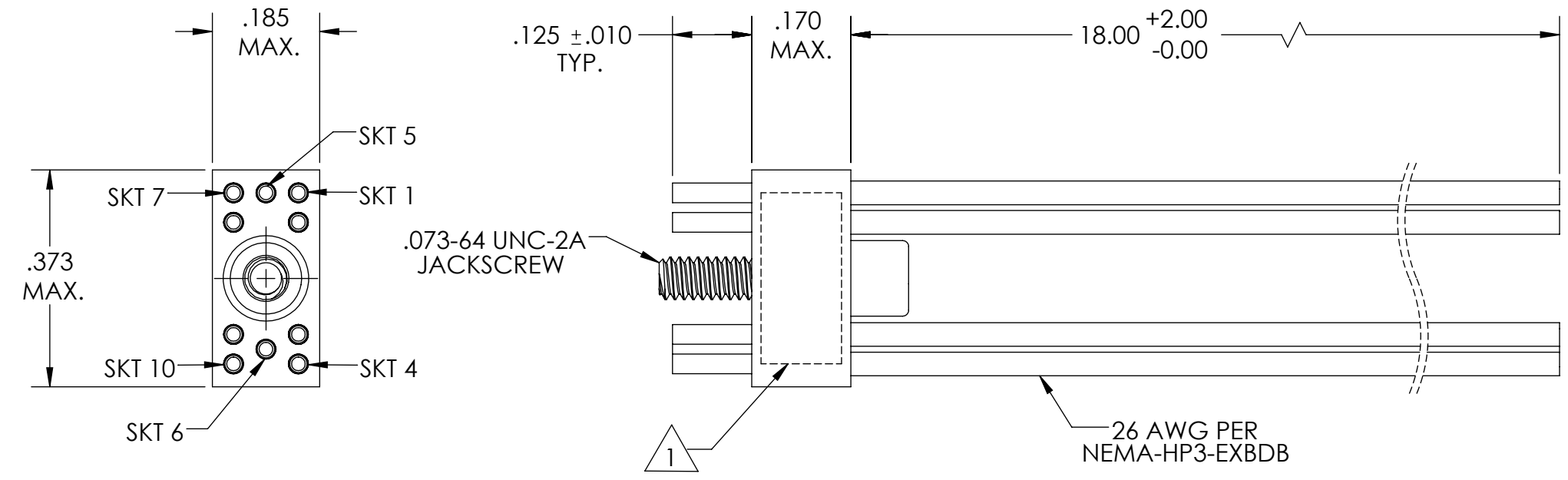
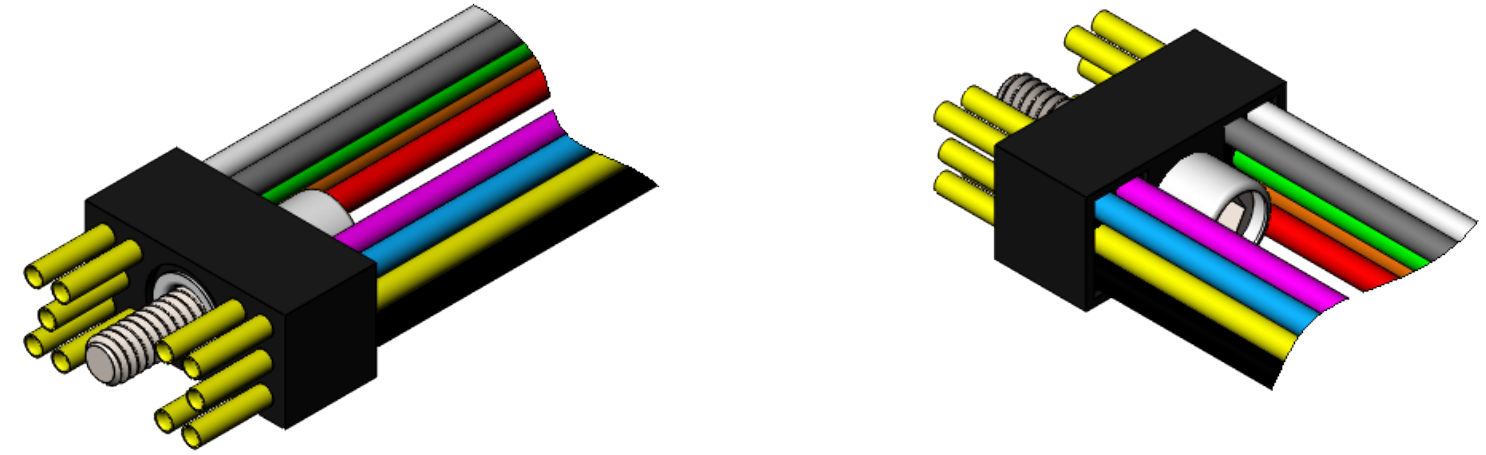


PART REV	DWG ISSUE	DATE	ECN NO.	APPVD BY	REL BY
B	B	11/13/00	UM2001-0142	DW	DW
C	C	4/2/09	UMI3844	DW	DW
D	D	5/8/18	UMI6763	DW	DW

F
E
D
C
B
A



1	BLK
2	BRN
3	RED
4	ORG
5	YEL
6	GRN
7	BLU
8	VIO
9	GRY
10	WHT



- 4. CONTACT HEIGHTS ARE TO BE PER QA-STD-101.
- 3. PERFORMANCE SPECIFICATIONS:
CURRENT RATING: 3 AMPS MAX.
DWV: 600 VAC
TEMPERATURE RATING: 125° C

2 MATERIALS:
INSULATOR: PPS PER MIL-M-24519 GST-40F, COLOR: BLACK
SOCKET CONTACTS: C21000 COPPER ALLOY PER ASTM B36, GOLD PLATED PER ASTM-B488
WIRE: 26 AWG PER NEMA-HP3-EXBDB, COLOR CODE: PER MIL-STD-681
HARDWARE: PASSIVATED 300 SERIES STAINLESS STEEL

1 MARKING: "UMI", DATE CODE, UMI PART NUMBER, UMI WORK ORDER NUMBER

NOTES: UNLESS OTHERWISE SPECIFIED.

QUALITY SYMBOLS CRITICAL C MAJOR NO SYMBOLS = MINOR DIMENSIONS	UNLESS OTHERWISE SPECIFIED: ALL DIMENSIONS ARE IN INCHES	SCALE 4:1	DWG SIZE B	THIRD ANGLE PROJECTION	REVISE ON CAD ONLY
	GENERAL TOLERANCES: 3 PLACES ±.005 2 PLACES ±.01 ANGULAR ±2°	DRAWN BY & DATE DU 4/30/18		TITLE: CONNECTOR ASSEMBLY, "JSBR" SERIES, JSBR-10S-26E5-18.0S	
	ULTI-MATE CAGE CODE 58967	CHECKED BY & DATE DW 4/30/18		MATERIAL: 2	ENG PROJECT #: E374
		APPROVED BY & DATE DW 4/30/18			
		CAD FILE NAME SD-838312090.SLDDRW	PART NO. 838312090	DRAWING NO. SD-838312090	SHEET NO. 1 of 1

THIS DRAWING CONTAINS INFORMATION THAT IS PROPRIETARY TO ULTI-MATE INCORPORATED AND SHOULD NOT BE USED WITHOUT WRITTEN PERMISSION.