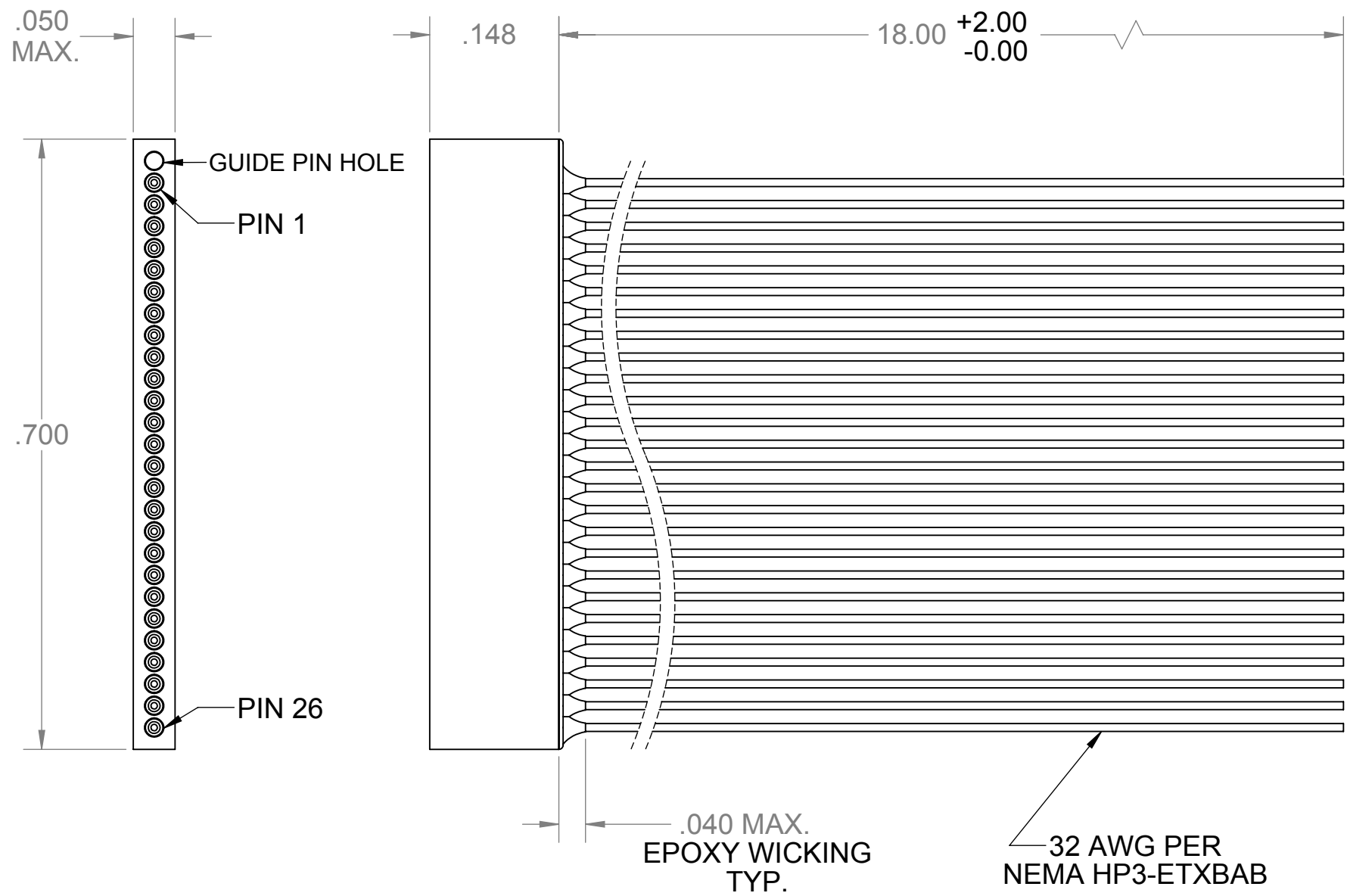
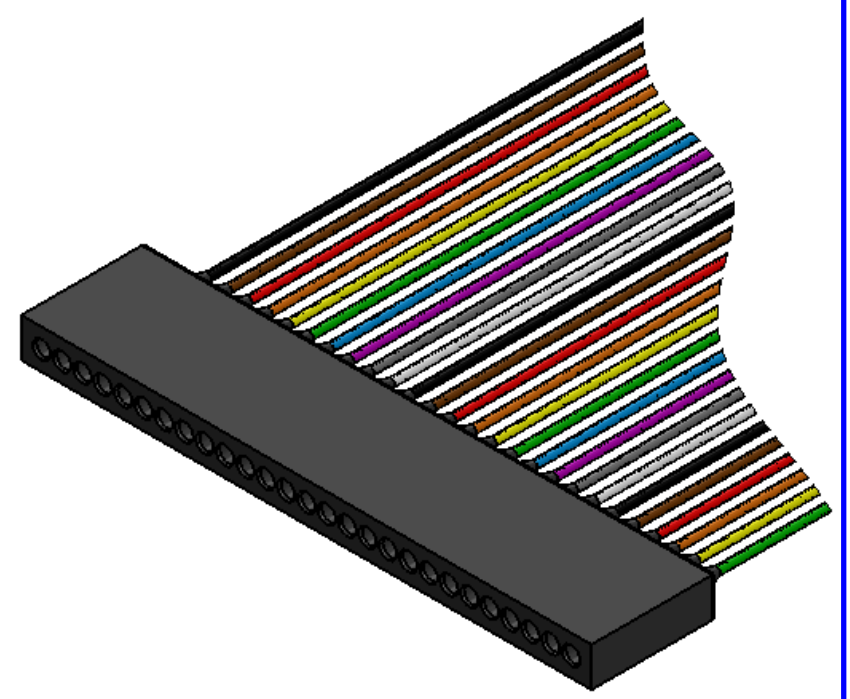


PART REV	DWG ISSUE	DATE	ECN NO.	APPVD BY	REL BY
-	-	3/1/13	UMI 4859	DW	DW

F  
E  
D  
C  
B  
A



GUIDE PIN HOLE	
1	BLK
2	BRN
3	RED
4	ORG
5	YEL
6	GRN
7	BLU
8	VIO
9	GRY
10	WHT
11	BLK
12	BRN
13	RED
14	ORG
15	YEL
16	GRN
17	BLU
18	VIO
19	GRY
20	WHT
21	BLK
22	BRN
23	RED
24	ORG
25	YEL
26	GRN



3. PERFORMANCE SPECIFICATIONS:  
 CURRENT RATING: 1 AMPS MAX.  
 INSULATION RESISTANCE: 5000 MEGOHMS MIN. @ 100VDC  
 DWV: 250 VAC  
 TEMPERATURE RATING: 125° C  
 CONTACT RESISTANCE: 108 MILLIOHMS MAX. @ 1A, (MEASURE 6 IN. FROM BACK OF CRIMP)

2. MATERIALS:  
 STRIP INSULATOR: PPS PER MIL-M-24519 GST-40F, COLOR: BLACK  
 PIN CONTACTS: C17200 BERYLLIUM COPPER PER ASTM B194, GOLD PLATED PER ASTM B488  
 WIRE: 32 AWG PER NEMA HP3-ETXBAB, COLOR CODE: REPEATING 10 COLORS.

1. MARKING: "UMI", DATE CODE, UMI PART NUMBER, (AS SPACE PERMITS).

NOTES: UNLESS OTHERWISE SPECIFIED.

QUALITY SYMBOLS MAJOR CRITICAL NO SYMBOL = MINOR DIMENSION	UNLESS OTHERWISE SPECIFIED: ALL DIMENSIONS ARE IN INCHES	SCALE <b>6:1</b>	DWG SIZE <b>B</b>	THIRD ANGLE PROJECTION	REVISE ON CAD ONLY	
	GENERAL TOLERANCES: 3 PLACES ±.005 2 PLACES ±.01 ANGULAR ±2°	DRAWN BY & DATE <b>DU 2/1/13</b>	TITLE: <b>NANO STRIP CONNECTOR, NSR26P1-32F6-18.0</b>			
		CHECKED BY & DATE <b>DW 4/3/13</b>	MATERIAL: 2			
		APPROVED BY & DATE <b>DW 4/3/13</b>	CAD FILE NAME <b>SD-837265411.SLDDRW</b>	PART NO. <b>837265411</b>	DRAWING NO. <b>SD-837265411</b>	SHEET NO. <b>1 of 1</b>
ULTI-MATE CAGE CODE <b>58967</b>	THIS DRAWING CONTAINS INFORMATION THAT IS PROPRIETARY TO ULTI-MATE INCORPORATED AND SHOULD NOT BE USED WITHOUT WRITTEN PERMISSION.					

