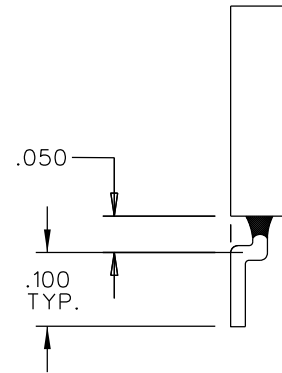
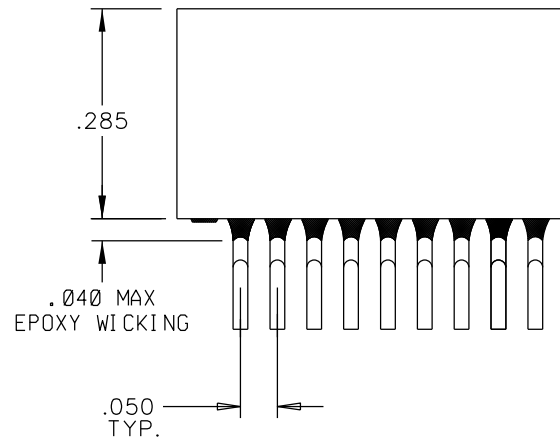
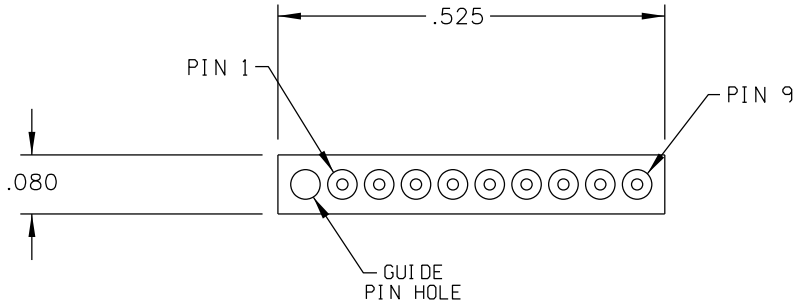


PART REV	DWG ISSUE	DATE	ECN NO.	APPVD BY	REL BY
-	-	7-16-12	UMI 4658		



1. MARKING: NONE.
 NOTES: UNLESS OTHERWISE SPECIFIED.

QUALITY SYMBOLS MAJOR CRITICAL SPC	UNLESS SPECIFIED: ALL DIMENSIONS IN INCHES GENERAL TOLERANCES: 3 PLACE ±.005 2 PLACE ±.01 ANGULAR ±2°	SCALE 6 : 1	DWG SIZE B	THIRD ANGLE PROJECTION	REVISE ON CAD ONLY
	Uti-Mate CAGE CODE 58967	DRAWN BY & DATE DW 7-16-12	TITLE: STRIP CONNECTOR, PIN CONTACTS, L05 SMT LEADS SR09P1-L05		
		CHECKED BY & DATE	MATERIAL:		
		APPROVED BY & DATE	CAD FILENAME SD-837091 903.DGN	PART NO. 837091 903	DRAWING NO. SD-837091 903
		THIS DRAWING CONTAINS INFORMATION THAT IS PROPRIETARY TO ULTI-MATE INCORPORATED AND SHOULD NOT BE USED WITHOUT WRITTEN PERMISSION.			REV -

